

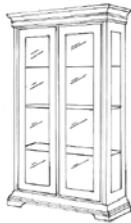


bakoklo GROUP

DATA SHEET | DISEGNI TECNICI

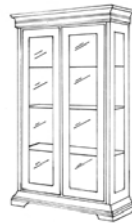
**Art.1000**  
vetrina  
cabinet

W: cm 125 - 49,2"  
D: cm 49 - 19,3"  
H: cm 200 - 78,7"  
MC: 1,45  
MARKS: 2  
KGS: 85



**Art.1000SW**  
vetrina  
cabinet

W: cm 125 - 49,2"  
D: cm 49 - 19,3"  
H: cm 200 - 78,7"  
MC: 1,45  
MARKS: 2  
KGS: 85



**Art.1001SW**  
vetrina 2 ante  
2 door cabinet

W: cm 155 - 61"  
D: cm 49 - 19,3"  
H: cm 210 - 82,7"  
MC: 0,9  
MARKS: 4  
KGS: 95



**Art.1001V2**  
vetrina 2 ante  
2 door cabinet

W: cm 155 - 61"  
D: cm 49 - 19,3"  
H: cm 210 - 82,7"  
MC: 0,9  
MARKS: 4  
KGS: 95



**Art.1001V3**  
vetrina 2 ante  
2 door cabinet

W: cm 155 - 61"  
D: cm 49 - 19,3"  
H: cm 210 - 82,7"  
MC: 0,9  
MARKS: 4  
KGS: 95



**Art.1002SW**  
vetrina 3 ante  
3 door cabinet

W: cm 178 - 70,1"  
D: cm 49 - 19,3"  
H: cm 210 - 82,7"  
MC: 1,1  
MARKS: 4  
KGS: 150



**Art.1002V2**  
vetrina 3 ante  
3 doors cabinet

W: cm 178 - 70,1"  
D: cm 49 - 19,3"  
H: cm 210 - 82,7"  
MC: 1,1  
MARKS: 4  
KGS: 150



**Art.1002V3**  
vetrina 3 ante  
3 doors cabinet

W: cm 178 - 70,1"  
D: cm 49 - 19,3"  
H: cm 210 - 82,7"  
MC: 1,1  
MARKS: 4  
KGS: 150



**Art.1003SW**  
vetrina 2 ante  
2 doors cabinet

W: cm 155 - 61"  
D: cm 52 - 20,5"  
H: cm 222 - 87,4"  
MC: 2  
MARKS: 3  
KGS: 98



**Art.1003V2**  
vetrina 2 ante  
2 doors cabinet

W: cm 155 - 61"  
D: cm 52 - 20,5"  
H: cm 222 - 87,4"  
MC: 2  
MARKS: 3  
KGS: 98



**Art.1003V3**  
vetrina 2 ante  
2 doors cabinet

W: cm 155 - 61"  
D: cm 52 - 20,5"  
H: cm 222 - 87,4"  
MC: 2  
MARKS: 3  
KGS: 98



**Art.1004SW**  
vetrina  
cabinet

W: cm 197 - 77,6"  
D: cm 52 - 20,5"  
H: cm 222 - 87,4"  
MC: 2,6  
MARKS: 3  
KGS: 190



**Art.1004V2**  
vetrina 3 ante  
3 door cabinet

W: cm 197 - 77,6"  
D: cm 52 - 20,5"  
H: cm 222 - 87,4"  
MC: 2,6  
MARKS: 3  
KGS: 190



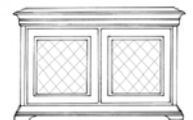
**Art.1004V3**  
vetrina 3 ante  
3 door cabinet

W: cm 197 - 77,6"  
D: cm 52 - 20,5"  
H: cm 222 - 87,4"  
MC: 2,6  
MARKS: 3  
KGS: 190



**Art.1005SW**  
credenza 2 porte  
2 doors cupboard

W: cm 158 - 62,2"  
D: cm 52 - 20,5"  
H: cm 100 - 39,4"  
MC: 0,9  
MARKS: 1  
KGS: 64,5



**Art.1005V2**  
credenza  
cupboard

W: cm 158 - 62,2"  
D: cm 52 - 20,5"  
H: cm 100 - 39,4"  
MC: 0,9  
MARKS: 1  
KGS: 64,5



**Art.1005V3**  
credenza  
cupboard

W: cm 158 - 62,2"  
D: cm 52 - 20,5"  
H: cm 100 - 39,4"  
MC: 0,9  
MARKS: 1  
KGS: 64,5



**Art.1006SW**  
credenza 3 porte  
3 doors cupboard

W: cm 228 - 89,8"  
D: cm 52 - 20,5"  
H: cm 100 - 39,4"  
MC: 1,3  
MARKS: 1  
KGS: 95



**Art.1006V2**  
credenza 3 porte  
3 doors cupboard

W: cm 228 - 89,8"  
D: cm 52 - 20,5"  
H: cm 100 - 39,4"  
MC: 1,3  
MARKS: 1  
KGS: 95



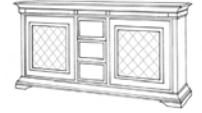
**Art.1006V3**  
credenza 3 porte  
3 doors cupboard

W: cm 228 - 89,8"  
D: cm 52 - 20,5"  
H: cm 100 - 39,4"  
MC: 1,3  
MARKS: 1  
KGS: 95



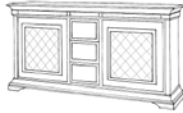
**Art.1007SW**  
credenza  
cupboard

W: cm 197 - 77,6"  
D: cm 52 - 20,5"  
H: cm 100 - 39,4"  
MC: 1,1  
MARKS: 1  
KGS: 89



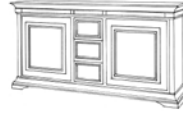
**Art.1007V2**  
credenza  
cupboard

W: cm 197 - 77,6"  
D: cm 52 - 20,5"  
H: cm 100 - 39,4"  
MC: 1,1  
MARKS: 1  
KGS: 89



**Art.1007V3**  
credenza  
cupboard

W: cm 197 - 77,6"  
D: cm 52 - 20,5"  
H: cm 100 - 39,4"  
MC: 1,1  
MARKS: 1  
KGS: 89



**Art.1008SW**  
credenza  
cupboard

W: cm 158 - 62,2"  
D: cm 52 - 20,5"  
H: cm 112 - 44,1"  
MC: 1  
MARKS: 1  
KGS: 75,5



**Art.1008V2**  
credenza  
cupboard

W: cm 158 - 62,2"  
D: cm 52 - 20,5"  
H: cm 112 - 44,1"  
MC: 1  
MARKS: 1  
KGS: 75,5



**Art.1008V3**  
credenza  
cupboard

W: cm 158 - 62,2"  
D: cm 52 - 20,5"  
H: cm 112 - 44,1"  
MC: 1  
MARKS: 1  
KGS: 75,5



**Art.1009SW**  
credenza  
cupboard

W: cm 228 - 89,8"  
D: cm 52 - 20,5"  
H: cm 112 - 44,1"  
MC: 1,5  
MARKS: 1  
KGS: 99



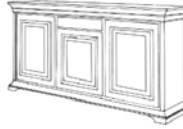
**Art.1009V2**  
credenza  
cupboard

W: cm 228 - 89,8"  
D: cm 52 - 20,5"  
H: cm 112 - 44,1"  
MC: 1,5  
MARKS: 1  
KGS: 99



**Art.1009V3**  
credenza  
cupboard

W: cm 228 - 89,8"  
D: cm 52 - 20,5"  
H: cm 112 - 44,1"  
MC: 1,5  
MARKS: 1  
KGS: 99



**Art.1010SW**  
porta tv  
tv stand

W: cm 87 - 34,3"  
D: cm 45 - 17,7"  
H: cm 77 - 30,3"  
MC: 0,35  
MARKS: 1  
KGS: 29



**Art.1010V2**  
porta tv  
tv stand

W: cm 87 - 34,3"  
D: cm 45 - 17,7"  
H: cm 77 - 30,3"  
MC: 0,35  
MARKS: 1  
KGS: 29



**Art.1010V3**  
porta tv  
tv stand

W: cm 87 - 34,3"  
D: cm 45 - 17,7"  
H: cm 77 - 30,3"  
MC: 0,35  
MARKS: 1  
KGS: 29



**Art.1011**  
vetrina  
cabinet

W: cm 106 - 41,7"  
D: cm 42 - 16,5"  
H: cm 100 - 39,4"  
MC: 0,6  
MARKS: 2  
KGS: 30



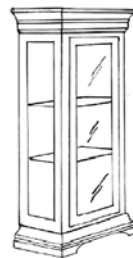
**Art.1011SW**  
vetrina  
cabinet

W: cm 106 - 41,7"  
D: cm 42 - 16,5"  
H: cm 100 - 39,4"  
MC: 0,6  
MARKS: 2  
KGS: 30



**Art.1012**  
vetrina  
cabinet

W: cm 64 - 25,2"  
D: cm 42 - 16,5"  
H: cm 140 - 55,1"  
MC: 0,45  
MARKS: 2  
KGS: 20



**Art.1013V1/T**  
tavolo rotondo  
round table

W(open): cm 160 - 63"  
H: cm 79 - 31,1"  
MC: 0,3  
MARKS: 2  
KGS: 58



**Art.1014V1/T**  
tavolo ovale  
oval table

W: cm 160 - 63"  
W(open): cm 210 - 82,7"  
D: cm 110 - 43,3"  
H: cm 79 - 31,1"  
MC: 0,4  
MARKS: 2  
KGS: 68



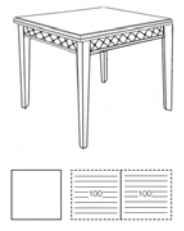
**Art.1015V1/T**  
tavolo quadrato  
square table

W: cm 100 - 39,4"  
W(open): cm 200 - 78,7"  
D: cm 100 - 39,4"  
H: cm 79 - 31,1"  
MC: 0,3  
MARKS: 1  
KGS: 50



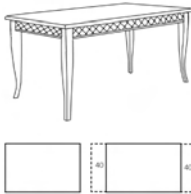
**Art.1015V2/T**  
tavolo quadrato  
square table

W: cm 100 - 39,4"  
W(open): cm 200 - 78,7"  
D: cm 100 - 39,4"  
H: cm 79 - 31,1"  
MC: 0,3  
MARKS: 1  
KGS: 50



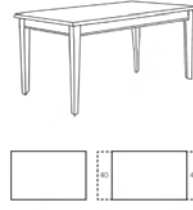
**Art.1016SWT1**  
tavolo rettangolare  
rectangular table

W: cm 170 - 66,9"  
W(open): cm 250 - 98,4"  
D: cm 90 - 35,4"  
H: cm 79 - 31,1"  
MC: 0,4  
MARKS: 1  
KGS: 73



**Art.1016V1/T**  
tavolo rettangolare  
rectangular table

W: cm 170 - 66,9"  
W(open): cm 250 - 98,4"  
D: cm 90 - 35,4"  
H: cm 79 - 31,1"  
MC: 0,4  
MARKS: 1  
KGS: 73



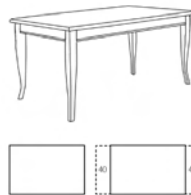
**Art.1016V2/T**  
tavolo rettangolare  
rectangular table

W: cm 170 - 66,9"  
W(open): cm 250 - 98,4"  
D: cm 90 - 35,4"  
H: cm 79 - 31,1"  
MC: 0,4  
MARKS: 1  
KGS: 73



**Art.1016V2/T1**  
tavolo rettangolare  
rectangular table

W: cm 170 - 66,9"  
W(open): cm 250 - 98,4"  
D: cm 90 - 35,4"  
H: cm 79 - 31,1"  
MC: 0,4  
MARKS: 1  
KGS: 73



**Art.1017V1/T**  
tavolo rettangolare  
rectangular table

W: cm 160 - 63"  
W(open): cm 210 - 82,7"  
D: cm 100 - 39,4"  
D(open): cm 140 - 55,1"  
H: cm 79 - 31,1"  
MC: 0,5  
MARKS: 2  
KGS: 82



**Art.1017V2/T**  
tavolo rettangolare  
rectangular table

W: cm 160 - 63"  
W(open): cm 210 - 82,7"  
D: cm 100 - 39,4"  
D(open): cm 140 - 55,1"  
H: cm 79 - 31,1"  
MC: 0,5  
MARKS: 2  
KGS: 82



**Art.1018V1/T**  
tavolino quadrato  
square small table

W: cm 90 - 35,4"  
D: cm 90 - 35,4"  
H: cm 50 - 19,7"  
MC: 0,2  
MARKS: 1  
KGS: 24



**Art.1018V2/T**  
tavolino quadrato  
square small table

W: cm 90 - 35,4"  
D: cm 90 - 35,4"  
H: cm 50 - 19,7"  
MC: 0,2  
MARKS: 1  
KGS: 24



**Art.1020SWT**  
tavolino rettangolare  
rectangular small table

W: cm 120 - 47,2"  
D: cm 75 - 29,5"  
H: cm 50 - 19,7"  
MC: 0,2  
MARKS: 1  
KGS: 24



**Art.1020V1/T**  
tavolino rettangolare  
rectangular small table

W: cm 120 - 47,2"  
D: cm 75 - 29,5"  
H: cm 50 - 19,7"  
MC: 0,2  
MARKS: 1  
KGS: 24



**Art.1020V2/T**  
tavolino rettangolare  
rectangular small table

W: cm 120 - 47,2"  
D: cm 75 - 29,5"  
H: cm 50 - 19,7"  
MC: 0,2  
MARKS: 1  
KGS: 24



**Art.1021/A**  
capotavola  
armchair

W: cm 56 - 22"  
D: cm 48 - 18,9"  
H: cm 98 - 38,6"  
HS: 52 - 20,5"  
HA: 66 - 26"  
MC: 0,6  
MARKS: 0,5  
KGS: 7



**Art.1021/S**  
sedia  
chair

W: cm 48 - 18,9"  
D: cm 48 - 18,9"  
H: cm 98 - 38,6"  
HS: 52 - 20,5"  
MC: 0,4  
MARKS: 0,5  
KGS: 6,5



**Art.1022/A**  
capotavola  
armchair

W: cm 56 - 22"  
D: cm 48 - 18,9"  
H: cm 98 - 38,6"  
HS: 52 - 20,5"  
HA: 66 - 26"  
MC: 0,6  
MARKS: 0,5  
KGS: 7



**Art.1022/S**  
sedia  
chair

W: cm 48 - 18,9"  
D: cm 48 - 18,9"  
H: cm 98 - 38,6"  
HS: 52 - 20,5"  
MC: 0,4  
MARKS: 0,5  
KGS: 6,5



**Art.1022SW/A**  
capotavola  
armchair

W: cm 56 - 22"  
D: cm 51 - 20,1"  
H: cm 98 - 38,6"  
HS: 52 - 20,5"  
HA: 66 - 26"  
MC: 0.6  
MARKS: 0,5  
KGS: 7



**Art.1022SW/S**  
sedia  
chair

W: cm 48 - 18,9"  
D: cm 48 - 18,9"  
H: cm 98 - 38,6"  
HS: 52 - 20,5"  
MC: 0.4  
MARKS: 0,5  
KGS: 6,5



**Art.1026/A**  
capotavola  
armchair

W: cm 63 - 24,8"  
D: cm 53 - 20,9"  
H: cm 100 - 39,4"  
HS: 53 - 20,9"  
HA: 72 - 28,3"  
MC: 0.4  
MARKS: 1  
KGS: 9



**Art.1027/A**  
capotavola  
armchair

W: cm 65 - 25,6"  
D: cm 55 - 21,7"  
H: cm 101 - 39,8"  
HS: 51 - 20,1"  
HA: 72 - 28,3"  
MC: 0.4  
MARKS: 1  
KGS: 8



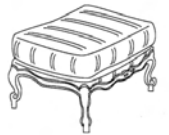
**Art.1028/A**  
poltrona  
armchair

W: cm 90 - 35,4"  
D: cm 64 - 25,2"  
H: cm 110 - 43,3"  
HS: 47 - 18,5"  
HA: 60,5 - 23,8"  
MC: 0.7  
MARKS: 1  
KGS: 20



**Art.1028/O**  
pouff  
ottoman

W: cm 90 - 35,4"  
D: cm 66 - 26"  
H: cm 47 - 18,5"  
HS: 47 - 18,5"  
MC: 0,30  
MARKS: 1  
KGS: 7



**Art.1030/A**  
poltrona  
armchair

W: cm 92 - 36,2"  
D: cm 60 - 23,6"  
H: cm 104 - 40,9"  
HS: 46 - 18,1"  
HA: 68 - 26,8"  
MC: 0.4  
MARKS: 1  
KGS: 18



**Art.1031/A**  
poltrona girevole  
office swivel armchair

W: cm 75 - 29,5"  
D: cm 64 - 25,2"  
H: cm 110 - 43,3"  
HS: 54 - 21,3"  
HA: 71 - 28"  
MC: 0.70  
MARKS: 1  
KGS: 22,5



**Art.1032/A**  
poltrona  
armchair

W: cm 59 - 23,2"  
D: cm 49 - 19,3"  
H: cm 103 - 40,6"  
HS: 51,5 - 20,3"  
HA: 66,5 - 26,2"  
MC: 0.60  
MARKS: 0,5  
KGS: 7,5



**Art.1032/S**  
sedia  
chair

W: cm 58 - 22,8"  
D: cm 49 - 19,3"  
H: cm 103 - 40,6"  
HS: 51,5 - 20,3"  
MC: 0,52  
MARKS: 0,5  
KGS: 6



**Art.1033/A**  
poltrona  
armchair

W: cm 73 - 28,7"  
D: cm 61 - 24"  
H: cm 115 - 45,3"  
HS: 50 - 19,7"  
HA: 77 - 30,3"  
MC: 0.50  
MARKS: 1  
KGS: 13,5



**Art.1034SW**  
porta tv  
tv stand

W: cm 157 - 61,8"  
D: cm 57 - 22,4"  
H: cm 200,5 - 78,9"  
MC: 1,1  
MARKS: 4  
KGS: 91,5



**Art.1034V2**  
porta tv  
tv stand

W: cm 157 - 61,8"  
D: cm 57 - 22,4"  
H: cm 200,5 - 78,9"  
MC: 1,1  
MARKS: 4  
KGS: 91,5



**Art.1035SW/TL**  
porta lampada  
lamp table

W: cm 60 - 23,6"  
D: cm 60 - 23,6"  
H: cm 60 - 23,6"  
MC: 0,1  
MARKS: 1  
KGS: 13,50



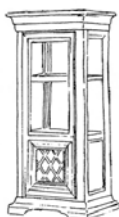
**Art.1035V2/TL**  
porta lampada  
lamp table

W: cm 60 - 23,6"  
D: cm 60 - 23,6"  
H: cm 60 - 23,6"  
MC: 0,1  
MARKS: 1  
KGS: 13,50



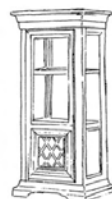
**Art.1036SW**  
vetrina bar  
bar cabinet

W: cm 64 - 25,2"  
D: cm 42 - 16,5"  
H: cm 138 - 54,3"  
MC: 0.45  
MARKS: 2  
KGS: 20



**Art.1036V2**  
vetrina bar  
bar cabinet

W: cm 64 - 25,2"  
D: cm 42 - 16,5"  
H: cm 138 - 54,3"  
MC: 0.45  
MARKS: 2  
KGS: 20



**Art.1037SW**  
retrodivano piccolo  
small étagère

W: cm 105 - 41,3"  
D: cm 42 - 16,5"  
H: cm 73,5 - 28,9"  
MC: 0.38  
MARKS: 1  
KGS: 28



**Art.1037V2**  
retroivano piccolo  
small étagere

W: cm 105 - 41,3"  
D: cm 42 - 16,5"  
H: cm 73,5 - 28,9"  
MC: 0.38  
MARKS: 1  
KGS: 28



**Art.1038SW**  
retroivano grande  
bigger étagere

W: cm 142 - 55,9"  
D: cm 42 - 16,5"  
H: cm 73,5 - 28,9"  
MC: 0.5  
MARKS: 1  
KGS: 35



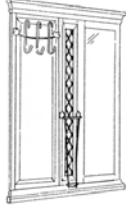
**Art.1038V2**  
retroivano grande  
bigger étagere

W: cm 142 - 55,9"  
D: cm 42 - 16,5"  
H: cm 73,5 - 28,9"  
MC: 0.5  
MARKS: 1  
KGS: 35



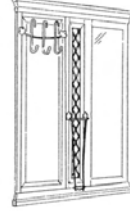
**Art.1039SW**  
entrata  
equipped entrance

W: cm 161 - 63,4"  
D: cm 10 - 3,9"  
H: cm 200 - 78,7"  
MC: 0.45  
MARKS: 2  
KGS: 43



**Art.1039V2**  
entrata  
equipped entrance

W: cm 161 - 63,4"  
D: cm 10 - 3,9"  
H: cm 200 - 78,7"  
MC: 0.45  
MARKS: 2  
KGS: 43



**Art.1040SW**  
entrata  
equipped entrance

W: cm 172 - 67,7"  
D: cm 41,5 - 16,3"  
H: cm 200 - 78,7"  
MC: 0.95  
MARKS: 3  
KGS: 70



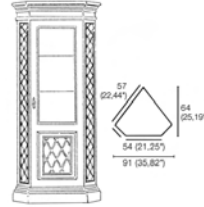
**Art.1040V2**  
entrata  
equipped entrance

W: cm 172 - 67,7"  
D: cm 41,5 - 16,3"  
H: cm 200 - 78,7"  
MC: 0.95  
MARKS: 3  
KGS: 70



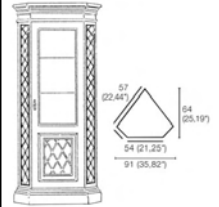
**Art.1041SW**  
angolo  
corner

W: cm 90 - 35,4"  
D: cm 60 - 23,6"  
H: cm 200,5 - 78,9"  
MC: 0.9  
MARKS: 2  
KGS: 58



**Art.1041V2**  
angolo  
corner

W: cm 90 - 35,4"  
D: cm 60 - 23,6"  
H: cm 200,5 - 78,9"  
MC: 0.9  
MARKS: 2  
KGS: 58



**Art.1042SW**  
cassettiera  
chest of drawers

W: cm 85,5 - 33,7"  
D: cm 46 - 18,1"  
H: cm 125 - 49,2"  
MC: 0.58  
MARKS: 1  
KGS: 53



**Art.1042V2**  
cassettiera  
chest of drawers

W: cm 85,5 - 33,7"  
D: cm 46 - 18,1"  
H: cm 125 - 49,2"  
MC: 0.58  
MARKS: 1  
KGS: 53



**Art.1043SW**  
libreria  
bookcase

W: cm 280 - 110,2"  
D: cm 47 - 18,5"  
H: cm 219 - 86,2"  
MC: 1.5  
MARKS: 5  
KGS: 185



**Art.1043V2**  
libreria  
bookcase

W: cm 280 - 110,2"  
D: cm 47 - 18,5"  
H: cm 219 - 86,2"  
MC: 1.5  
MARKS: 5  
KGS: 185



**Art.1051**  
libreria  
bookcase

W: cm 155 - 61"  
D: cm 49 - 19,3"  
H: cm 210 - 82,7"  
MC: 1.7  
MARKS: 1  
KGS: 70



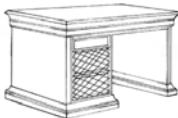
**Art.1051SW**  
libreria  
bookcase

W: cm 155 - 61"  
D: cm 49 - 19,3"  
H: cm 210 - 82,7"  
MC: 1.7  
MARKS: 1  
KGS: 70



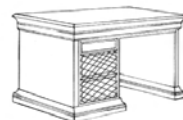
**Art.1053SW**  
scrivania  
writing-desk

W: cm 140 - 55,1"  
D: cm 82 - 32,3"  
H: cm 77 - 30,3"  
MC: 0.6  
MARKS: 2  
KGS: 94



**Art.1053V2**  
scrivania  
writing-desk

W: cm 140 - 55,1"  
D: cm 82 - 32,3"  
H: cm 77 - 30,3"  
MC: 0.6  
MARKS: 2  
KGS: 94



**Art.1053V3**  
scrivania  
writing-desk

W: cm 140 - 55,1"  
D: cm 82 - 32,3"  
H: cm 77 - 30,3"  
MC: 0.6  
MARKS: 2  
KGS: 94



**Art.1054SW**  
scrivania  
writing-desk

W: cm 186 - 73,2"  
D: cm 82 - 32,3"  
H: cm 77 - 30,3"  
MC: 1  
MARKS: 3  
KGS: 117



**Art.1054V2**  
scrivania  
writing-desk

W: cm 186 - 73,2"  
D: cm 82 - 32,3"  
H: cm 77 - 30,3"  
MC: 1  
MARKS: 3  
KGS: 117



**Art.1054V3**  
scrivania  
writing-desk

W: cm 186 - 73,2"  
D: cm 82 - 32,3"  
H: cm 77 - 30,3"  
MC: 1  
MARKS: 3  
KGS: 117



**Art.1055SW**  
scrivania  
writing-desk

W: cm 186 - 73,2"  
D: cm 82 - 32,3"  
H: cm 77 - 30,3"  
MC: 1  
MARKS: 3  
KGS: 117



**Art.1055V2**  
scrivania  
writing-desk

W: cm 186 - 73,2"  
D: cm 82 - 32,3"  
H: cm 77 - 30,3"  
MC: 1  
MARKS: 3  
KGS: 117



**Art.1057V2**  
penisola  
lengthening

W: cm 110 - 43,3"  
D: cm 61 - 24"  
H: cm 80 - 31,5"  
MC: 0,4  
MARKS: 2  
KGS: 34



**Art.1057V3**  
penisola  
lengthening

W: cm 110 - 43,3"  
D: cm 61 - 24"  
H: cm 80 - 31,5"  
MC: 0,4  
MARKS: 2  
KGS: 34



**Art.1059SW**  
mobile bar  
bar stand

W: cm 234 - 92,1"  
D: cm 70,5 - 27,8"  
H: cm 221 - 87"  
MC: 2,9  
MARKS: 8  
KGS: 266,5



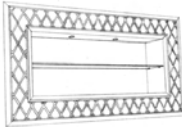
**Art.1059V2**  
mobile bar  
bar stand

W: cm 234 - 92,1"  
D: cm 70,5 - 27,8"  
H: cm 221 - 87"  
MC: 2,9  
MARKS: 8  
KGS: 266,5



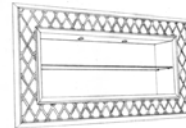
**Art.1065SW**  
vetrina sospesa  
hanging cabinet

W: cm 150 - 59,1"  
D: cm 27 - 10,6"  
H: cm 80 - 31,5"  
MC: 0,4  
MARKS: 2  
KGS: 20



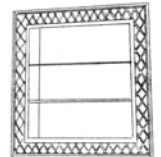
**Art.1065V2**  
vetrina sospesa  
hanging cabinet

W: cm 150 - 59,1"  
D: cm 27 - 10,6"  
H: cm 80 - 31,5"  
MC: 0,4  
MARKS: 2  
KGS: 20



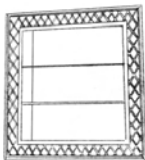
**Art.1066SW**  
vetrina sospesa  
hanging cabinet

W: cm 150 - 59,1"  
D: cm 27 - 10,6"  
H: cm 150 - 59,1"  
MC: 0,68  
MARKS: 2  
KGS: 35



**Art.1066V2**  
vetrina sospesa  
hanging cabinet

W: cm 150 - 59,1"  
D: cm 27 - 10,6"  
H: cm 150 - 59,1"  
MC: 0,68  
MARKS: 2  
KGS: 35



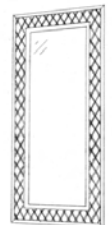
**Art.1067SW**  
specchiera  
mirror

W: cm 105 - 41,3"  
D: cm 3 - 1,2"  
H: cm 217 - 85,4"  
MC: 0,13  
MARKS: 1  
KGS: 30



**Art.1067V2**  
specchiera  
mirror

W: cm 105 - 41,3"  
D: cm 3 - 1,2"  
H: cm 217 - 85,4"  
MC: 0,13  
MARKS: 1  
KGS: 30



**Art.1068SW/A**  
poltrona  
armchair

W: cm 62 - 24,4"  
D: cm 51 - 20,1"  
H: cm 93 - 36,6"  
HS: 47 - 18,5"  
HA: 70 - 27,6"  
MC: 0,45  
MARKS: 1  
KGS: 19



**Art.1069/B**  
sgabello  
bar stool

W: cm 46 - 18,1"  
D: cm 44 - 17,3"  
H: cm 118 - 46,5"  
HS: 81 - 31,9"  
MC: 0,3  
MARKS: 1  
KGS: 8



**Art.1069SW/B**  
sgabello  
bar stool

W: cm 46 - 18,1"  
D: cm 44 - 17,3"  
H: cm 118 - 46,5"  
HS: 81 - 31,9"  
MC: 0,3  
MARKS: 1  
KGS: 8




**Art.1070/B**  
sgabello  
bar stool

W: cm 46 - 18,1"  
D: cm 44 - 17,3"  
H: cm 118 - 46,5"  
HS: 81 - 31,9"  
MC: 0.3  
MARKS: 1  
KGS: 8



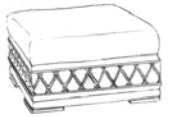
**Art.1070SW/B**  
sgabello  
bar stool

W: cm 46 - 18,1"  
D: cm 44 - 17,3"  
H: cm 118 - 46,5"  
HS: 81 - 31,9"  
MC: 0.3  
MARKS: 1  
KGS: 8



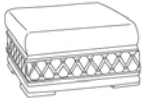
**Art.1071SW/O**  
pouff  
ottoman

W: cm 70 - 27,6"  
D: cm 70 - 27,6"  
H: cm 42 - 16,5"  
MC: 0.3  
MARKS: 1  
KGS: 8




**Art.1071V2/O**  
pouff  
ottoman

W: cm 70 - 27,6"  
D: cm 70 - 27,6"  
H: cm 42 - 16,5"  
MC: 0.25  
MARKS: 1  
KGS: 8




**Art.1076SW**  
armadio  
wardrobe

W: cm 284 - 111,8"  
D: cm 64 - 25,2"  
H: cm 247 - 97,2"  
MC: 1.9  
MARKS: 6  
KGS: 130




**Art.1076V2**  
armadio  
wardrobe

W: cm 284 - 111,8"  
D: cm 64 - 25,2"  
H: cm 247 - 97,2"  
MC: 1.9  
MARKS: 6  
KGS: 130




**Art.1076V3**  
armadio  
wardrobe

W: cm 284 - 111,8"  
D: cm 64 - 25,2"  
H: cm 247 - 97,2"  
MC: 1.9  
MARKS: 6  
KGS: 130




**Art.1077V3**  
comò  
chest of drawers

W: cm 122 - 48"  
D: cm 54 - 21,3"  
H: cm 100 - 39,4"  
MC: 0.7  
MARKS: 1  
KGS: 65



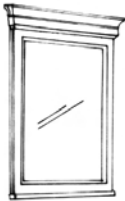
**Art.1078V3**  
comò  
chest of drawers

W: cm 122 - 48"  
D: cm 54 - 21,3"  
H: cm 122 - 48"  
MC: 0.9  
MARKS: 1  
KGS: 80




**Art.1079**  
specchiera  
looking glass

W: cm 84 - 33,1"  
H: cm 107 - 42,1"  
MC: 0.2  
MARKS: 1  
KGS: 8




**Art.1080V3**  
comodino  
night table

W: cm 56 - 22"  
D: cm 38 - 15"  
H: cm 68 - 26,8"  
MC: 0.2  
MARKS: 1  
KGS: 20




**Art.1081SW**  
letto  
bed

W: cm 180 - 70,9"  
D: cm 216 - 85"  
H: cm 114 - 44,9"  
MC: 0.9  
MARKS: 3  
KGS: 30



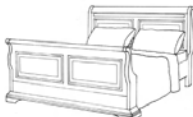
**Art.1081V2**  
letto  
bed

W: cm 180 - 70,9"  
D: cm 216 - 85"  
H: cm 114 - 44,9"  
MC: 0.9  
MARKS: 3  
KGS: 30



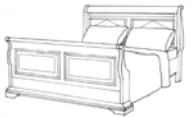
**Art.1081V3**  
letto  
bed

W: cm 180 - 70,9"  
D: cm 216 - 85"  
H: cm 114 - 44,9"  
MC: 0.9  
MARKS: 3  
KGS: 30




**Art.1081VUPH**  
letto  
bed

W: cm 180 - 70,9"  
D: cm 216 - 85"  
H: cm 114 - 44,9"  
MC: 0.9  
MARKS: 3  
KGS: 30




**Art.1081Z**  
rete  
bedspring

W: cm 160 - 63"  
D: cm 190 - 74,8"  
MC: 0.40  
MARKS: 1  
KGS: 20




**Art.1082SW**  
letto  
bed

W: cm 180 - 70,9"  
D: cm 208 - 81,9"  
H: cm 114 - 44,9"  
MC: 0.65  
MARKS: 3  
KGS: 30

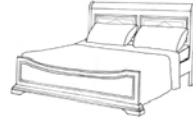
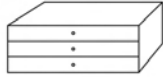
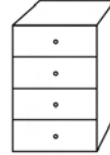
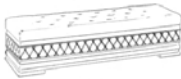
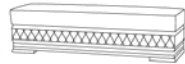
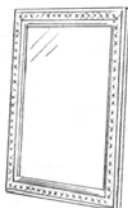
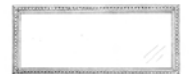


**Art.1082V2**  
letto  
bed

W: cm 180 - 70,9"  
D: cm 208 - 81,9"  
H: cm 114 - 44,9"  
MC: 0.65  
MARKS: 3  
KGS: 30





**Art.1082V3**letto  
bedW: cm 180 - 70,9"  
D: cm 208 - 81,9"  
H: cm 114 - 44,9"  
MC: 0.65  
MARKS: 3  
KGS: 30**Art.1082VUPH**letto  
bedW: cm 180 - 70,9"  
D: cm 208 - 81,9"  
H: cm 114 - 44,9"  
MC: 0.65  
MARKS: 3  
KGS: 30**Art.1082Z**rete  
bedspringW: cm 160 - 63"  
D: cm 190 - 74,8"  
MC: 0.40  
MARKS: 1  
KGS: 20**Art.1083**  
cassettiera interna  
inner drawersW: cm 106 - 41,7"  
D: cm 47 - 18,5"  
H: cm 44 - 17,3"  
MC: 0.22  
MARKS: 1  
KGS: 8**Art.1084**  
cassettiera interna 4 cassetti  
inner drawersW: cm 50 - 19,7"  
D: cm 50 - 19,7"  
H: cm 75 - 29,5"  
MC: 0.20  
MARKS: 1  
KGS: 7**Art.1085**  
cassettiera interna  
inner drawersW: cm 56 - 22"  
D: cm 35 - 13,8"  
H: cm 56 - 22"  
MC: 0.12  
MARKS: 1  
KGS: 6**Art.1086SW**letto  
bedW: cm 234,5 - 92,3"  
D: cm 212 - 83,5"  
H: cm 142 - 55,9"  
MC: 0.5  
MARKS: 3  
KGS: 29**Art.1086V2**letto  
bedW: cm 234,5 - 92,3"  
D: cm 212 - 83,5"  
H: cm 142 - 55,9"  
MC: 0.5  
MARKS: 3  
KGS: 29**Art.1086Z**rete  
bedspringW: cm 180 - 70,9"  
D: cm 200 - 78,7"  
MC: 0.40  
MARKS: 1  
KGS: 22**Art.1087SW**panca  
benchW: cm 176 - 69,3"  
D: cm 53 - 20,9"  
H: cm 45 - 17,7"  
MC: 0.5  
MARKS: 1  
KGS: 34**Art.1087V2**panca  
benchW: cm 176 - 69,3"  
D: cm 53 - 20,9"  
H: cm 45 - 17,7"  
MC: 0.5  
MARKS: 1  
KGS: 34**Art.1088SW**comò  
chest of drawersW: cm 122 - 48"  
D: cm 54 - 21,3"  
H: cm 100 - 39,4"  
MC: 0.7  
MARKS: 1  
KGS: 62**Art.1088V2**comò  
chest of drawersW: cm 122 - 48"  
D: cm 54 - 21,3"  
H: cm 100 - 39,4"  
MC: 0.7  
MARKS: 1  
KGS: 62**Art.1089SW**comodino  
night tableW: cm 64 - 25,2"  
D: cm 42 - 16,5"  
H: cm 70 - 27,6"  
MC: 0.2  
MARKS: 1  
KGS: 25**Art.1089V2**comodino  
night tableW: cm 64 - 25,2"  
D: cm 42 - 16,5"  
H: cm 70 - 27,6"  
MC: 0.2  
MARKS: 1  
KGS: 25**Art.1090SW**specchiera ( comò )  
mirror ( chest of drawers )W: cm 67 - 26,4"  
D: cm 4 - 1,6"  
H: cm 97 - 38,2"  
MC: 0.05  
MARKS: 1  
KGS: 12**Art.1090V2**specchiera ( comò )  
mirror ( chest of drawers )W: cm 67 - 26,4"  
D: cm 4 - 1,6"  
H: cm 97 - 38,2"  
MC: 0.05  
MARKS: 1  
KGS: 12**Art.1091SW**specchiera  
mirrorW: cm 195 - 76,8"  
D: cm 4 - 1,6"  
H: cm 81 - 31,9"  
MC: 0.1  
MARKS: 1  
KGS: 25

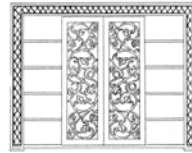
**Art.1091V2**  
specchiera  
mirror

W: cm 195 - 76,8"  
D: cm 4 - 1,6"  
H: cm 81 - 31,9"  
MC: 0,1  
MARKS: 1  
KGS: 25



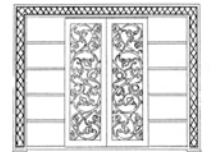
**Art.1095SW**  
libreria  
bookcase

W: cm 285 - 112,2"  
D: cm 48 - 18,9"  
H: cm 223 - 87,8"  
MC: 1,5  
MARKS: 7  
KGS: 190



**Art.1095V2**  
libreria  
bookcase

W: cm 285 - 112,2"  
D: cm 48 - 18,9"  
H: cm 223 - 87,8"  
MC: 1,5  
MARKS: 7  
KGS: 190



**Art.1096SW**  
tavolino bar  
bar table

W: cm 100 - 39,4"  
W(open): cm 150 - 59,1"  
D: cm 100 - 39,4"  
D(open): cm 150 - 59,1"  
H: cm 50 - 19,7"  
MC: 0,6  
MARKS: 1  
KGS: 78



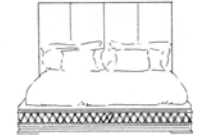
**Art.1096V2**  
tavolino bar  
bar table

W: cm 100 - 39,4"  
W(open): cm 150 - 59,1"  
D: cm 100 - 39,4"  
D(open): cm 150 - 59,1"  
H: cm 50 - 19,7"  
MC: 0,6  
MARKS: 1  
KGS: 78



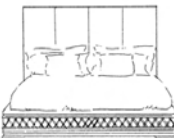
**Art.1097SW**  
letto  
bed

W: cm 200 - 78,7"  
D: cm 238 - 93,7"  
H: cm 148 - 58,3"  
MC: 1,5  
MARKS: 2  
KGS: 115



**Art.1097V2**  
letto  
bed

W: cm 200 - 78,7"  
D: cm 238 - 93,7"  
H: cm 148 - 58,3"  
MC: 1,5  
MARKS: 2  
KGS: 115



**Art.1097Z**  
rete  
bedspring

W: cm 180 - 70,9"  
D: cm 200 - 78,7"  
MC: 0,40  
MARKS: 1  
KGS: 22



**Art.1098SW**  
letto  
bed

W: cm 200 - 78,7"  
D: cm 256 - 100,8"  
H: cm 151 - 59,4"  
MC: 1,45  
MARKS: 3  
KGS: 136



**Art.1098V2**  
letto  
bed

W: cm 200 - 78,7"  
D: cm 256 - 100,8"  
H: cm 151 - 59,4"  
MC: 1,45  
MARKS: 3  
KGS: 136



**Art.1098Z**  
rete  
bedspring

W: cm 180 - 70,9"  
D: cm 200 - 78,7"  
MC: 0,40  
MARKS: 1  
KGS: 22



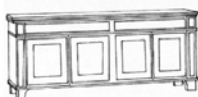
**Art.1100**  
vetrina  
cabinet

W: cm 90 - 35,4"  
D: cm 50 - 19,7"  
H: cm 190 - 74,8"  
MC: 0,9  
MARKS: 2  
KGS: 80



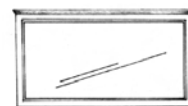
**Art.1101**  
credenza  
cupboard

W: cm 202 - 79,5"  
D: cm 50 - 19,7"  
H: cm 88 - 34,6"  
MC: 1  
MARKS: 1  
KGS: 95



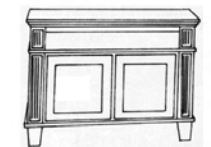
**Art.1102**  
specchiera  
mirror

W: cm 192 - 75,6"  
D: cm 6 - 2,4"  
H: cm 104 - 40,9"  
MC: 0,15  
MARKS: 1  
KGS: 10



**Art.1103**  
porta tv  
tv stand

W: cm 100 - 39,4"  
D: cm 50 - 19,7"  
H: cm 76 - 29,9"  
MC: 0,4  
MARKS: 1  
KGS: 40



**Art.1104/T**  
tavolo  
table

W: cm 190 - 74,8"  
D: cm 120 - 47,2"  
H: cm 79 - 31,1"  
MC: 0,8  
MARKS: 2  
KGS: 85



**Art.1105/A**  
capotavola  
armchair

W: cm 58 - 22,8"  
D: cm 53 - 20,9"  
H: cm 98 - 38,6"  
HS: 54 - 21,3"  
HA: 74 - 29,1"  
MC: 0,6  
MARKS: 0,5  
KGS: 10



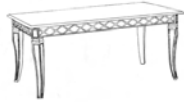
**Art.1105/S**  
sedia  
chair

W: cm 52 - 20,5"  
D: cm 46 - 18,1"  
H: cm 99 - 39"  
HS: 54 - 21,3"  
MC: 0,4  
MARKS: 0,5  
KGS: 8



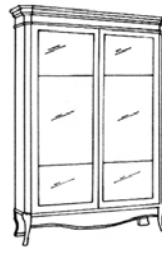
**Art.1203/T**  
tavolo rettangolare  
rectangular table

W: cm 180 - 70,9"  
D: cm 95 - 37,4"  
H: cm 77 - 30,3"  
MC: 0,4  
MARKS: 1  
KGS: 60



**Art.1251**  
vetrina  
cabinet

W: cm 140 - 55,1"  
D: cm 54 - 21,3"  
H: cm 215 - 84,6"  
MC: 1,7  
MARKS: 2  
KGS: 95



**Art.1252**  
credenza  
cupboard

W: cm 222 - 87,4"  
D: cm 53 - 20,9"  
H: cm 119 - 46,9"  
MC: 1,5  
MARKS: 1  
KGS: 120



**Art.1253/T**  
tavolo  
table

W: cm 210 - 82,7"  
W(open): cm 270 - 106,3"  
D: cm 110 - 43,3"  
H: cm 79 - 31,1"  
MC: 0,4  
MARKS: 1  
KGS: 75



**Art.1254/A**  
capotavola  
armchair

W: cm 50 - 19,7"  
D: cm 65 - 25,6"  
H: cm 100,5 - 39,6"  
HS: 51 - 20,1"  
HA: 64 - 25,2"  
MC: 0,6  
MARKS: 0,5  
KGS: 10



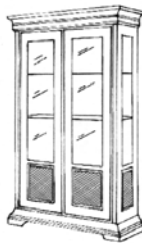
**Art.1254/S**  
sedia  
chair

W: cm 53 - 20,9"  
D: cm 48 - 18,9"  
H: cm 100,5 - 39,6"  
HS: 51 - 20,1"  
MC: 0,4  
MARKS: 0,5  
KGS: 8



**Art.1300V2**  
vetrina  
cabinet

W: cm 144 - 56,7"  
D: cm 52 - 20,5"  
H: cm 212 - 83,5"  
MC: 1,7  
MARKS: 2  
KGS: 105



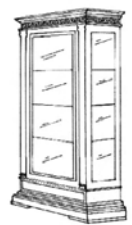
**Art.1300V3**  
vetrina  
cabinet

W: cm 144 - 56,7"  
D: cm 52 - 20,5"  
H: cm 212 - 83,5"  
MC: 1,7  
MARKS: 2  
KGS: 105



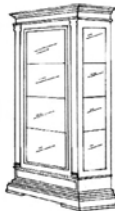
**Art.1301V2**  
vetrina  
cabinet

W: cm 92 - 36,2"  
D: cm 52 - 20,5"  
H: cm 195 - 76,8"  
MC: 1  
MARKS: 2  
KGS: 80



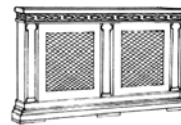
**Art.1301V3**  
vetrina  
cabinet

W: cm 92 - 36,2"  
D: cm 52 - 20,5"  
H: cm 195 - 76,8"  
MC: 1  
MARKS: 2  
KGS: 80



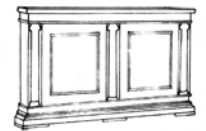
**Art.1302V2**  
credenza  
cupboard

W: cm 190 - 74,8"  
D: cm 55 - 21,7"  
H: cm 117 - 46,1"  
MC: 1,3  
MARKS: 1  
KGS: 125



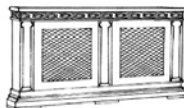
**Art.1302V3**  
credenza  
cupboard

W: cm 190 - 74,8"  
D: cm 55 - 21,7"  
H: cm 117 - 46,1"  
MC: 1,3  
MARKS: 1  
KGS: 125



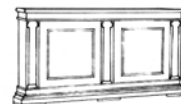
**Art.1303V2**  
credenza  
cupboard

W: cm 225 - 88,6"  
D: cm 55 - 21,7"  
H: cm 117 - 46,1"  
MC: 1,3  
MARKS: 1  
KGS: 125



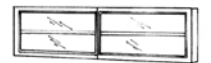
**Art.1303V3**  
credenza  
cupboard

W: cm 225 - 88,6"  
D: cm 55 - 21,7"  
H: cm 117 - 46,1"  
MC: 1,3  
MARKS: 1  
KGS: 125



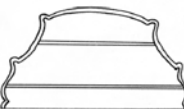
**Art.1304**  
piattaia  
plate rack

W: cm 190 - 74,8"  
D: cm 24 - 9,4"  
H: cm 51 - 20,1"  
MC: 0,3  
MARKS: 1  
KGS: 10



**Art.1305**  
piattaia  
plate rack

W: cm 150 - 59,1"  
D: cm 17 - 6,7"  
H: cm 80 - 31,5"  
MC: 0,25  
MARKS: 1  
KGS: 30



**Art.1307V2/T**  
tavolo  
table

W: cm 210 - 82,7"  
W(open): cm 270 - 106,3"  
D: cm 110 - 43,3"  
H: cm 79 - 31,1"  
MC: 0,4  
MARKS: 1  
KGS: 85



**Art.1307V3/T**  
tavolo  
table

W: cm 210 - 82,7"  
W(open): cm 270 - 106,3"  
D: cm 110 - 43,3"  
H: cm 79 - 31,1"  
MC: 0,4  
MARKS: 1  
KGS: 85



**Art.1308/A**  
capotavola  
armchair

W: cm 56 - 22"  
D: cm 48 - 18,9"  
H: cm 98 - 38,6"  
HS: 52 - 20,5"  
HA: 66 - 26"  
MC: 0,6  
MARKS: 0,5  
KGS: 8



**Art.1308/S**  
sedia  
chair

W: cm 48 - 18,9"  
D: cm 48 - 18,9"  
H: cm 98 - 38,6"  
HS: 52 - 20,5"  
MC: 0,4  
MARKS: 0,5  
KGS: 7,5



**Art.1309/A**  
capotavola  
armchair

W: cm 56 - 22"  
D: cm 48 - 18,9"  
H: cm 98 - 38,6"  
HS: 52 - 20,5"  
HA: 66 - 26"  
MC: 0,6  
MARKS: 0,5  
KGS: 7



**Art.1309/S**  
sedia  
chair

W: cm 48 - 18,9"  
D: cm 48 - 18,9"  
H: cm 98 - 38,6"  
HS: 52 - 20,5"  
MC: 0,4  
MARKS: 0,5  
KGS: 6,5



**Art.1310/A**  
capotavola  
armchair

W: cm 56 - 22"  
D: cm 48 - 18,9"  
H: cm 98 - 38,6"  
HS: 52 - 20,5"  
HA: 66 - 26"  
MC: 0,6  
MARKS: 0,5  
KGS: 8



**Art.1310/S**  
sedia  
chair

W: cm 48 - 18,9"  
D: cm 48 - 18,9"  
H: cm 98 - 38,6"  
HS: 52 - 20,5"  
MC: 0,4  
MARKS: 0,5  
KGS: 7,5



**Art.1313/A**  
capotavola  
armchair

W: cm 62 - 24,4"  
D: cm 44 - 17,3"  
H: cm 102 - 40,2"  
HS: 52 - 20,5"  
HA: 65 - 25,6"  
MC: 0,6  
MARKS: 0,5  
KGS: 7,5



**Art.1313/S**  
sedia  
chair

W: cm 49 - 19,3"  
D: cm 44 - 17,3"  
H: cm 102 - 40,2"  
HS: 52 - 20,5"  
MC: 0,4  
MARKS: 0,5  
KGS: 6



**Art.1314/A**  
capotavola  
armchair

W: cm 66 - 26"  
D: cm 54 - 21,3"  
H: cm 102 - 40,2"  
HS: 52 - 20,5"  
HA: 69,5 - 27,4"  
MC: 0,5  
MARKS: 1  
KGS: 9



**Art.1314/S**  
sedia  
chair

W: cm 55 - 21,7"  
D: cm 50 - 19,7"  
H: cm 100 - 39,4"  
HS: 50 - 19,7"  
MC: 0,35  
MARKS: 1  
KGS: 6



**Art.1315/A**  
capotavola  
armchair

W: cm 62 - 24,4"  
D: cm 44 - 17,3"  
H: cm 102 - 40,2"  
HS: 52 - 20,5"  
HA: 65 - 25,6"  
MC: 0,6  
MARKS: 0,5  
KGS: 7,5



**Art.1315/S**  
sedia  
chair

W: cm 49 - 19,3"  
D: cm 44 - 17,3"  
H: cm 102 - 40,2"  
HS: 52 - 20,5"  
MC: 0,4  
MARKS: 0,5  
KGS: 6



**Art.1316/A**  
capotavola  
armchair

W: cm 62 - 24,4"  
D: cm 44 - 17,3"  
H: cm 99 - 39"  
HS: 52 - 20,5"  
HA: 65 - 25,6"  
MC: 0,6  
MARKS: 0,5  
KGS: 7,5



**Art.1316/S**  
sedia  
chair

W: cm 49 - 19,3"  
D: cm 44 - 17,3"  
H: cm 99 - 39"  
HS: 52 - 20,5"  
MC: 0,4  
MARKS: 0,5  
KGS: 6



**Art.1317/A**  
capotavola  
armchair

W: cm 62 - 24,4"  
D: cm 44 - 17,3"  
H: cm 100 - 39,4"  
HS: 52 - 20,5"  
HA: 65 - 25,6"  
MC: 0,6  
MARKS: 0,5  
KGS: 7,5



**Art.1317/S**  
sedia  
chair

W: cm 49 - 19,3"  
D: cm 44 - 17,3"  
H: cm 100 - 39,4"  
HS: 52 - 20,5"  
MC: 0,4  
MARKS: 0,5  
KGS: 6



**Art.1318/A**  
capotavola  
armchair

W: cm 57,5 - 22,6"  
D: cm 48 - 18,9"  
H: cm 102 - 40,2"  
HS: 52 - 20,5"  
HA: 66,5 - 26,2"  
MC: 0,6  
MARKS: 0,5  
KGS: 8



**Art.1318/S**  
sedia  
chair

W: cm 48 - 18,9"  
D: cm 44 - 17,3"  
H: cm 102 - 40,2"  
HS: 52 - 20,5"  
MC: 0,4  
MARKS: 0,5  
KGS: 6



**Art.1319/S**sedia  
chair

W: cm 49 - 19,3"  
 D: cm 45 - 17,7"  
 H: cm 98 - 38,6"  
 HS: 52 - 20,5"  
 MC: 0,4  
 MARKS: 0,5  
 KGS: 6

**Art.1320/A**capotavola  
armchair

W: cm 60,5 - 23,8"  
 D: cm 45 - 17,7"  
 H: cm 99 - 39"  
 HS: 53 - 20,9"  
 HA: 68 - 26,8"  
 MC: 0,6  
 MARKS: 0,5  
 KGS: 7,5

**Art.1320/S**sedia  
chair

W: cm 50 - 19,7"  
 D: cm 45 - 17,7"  
 H: cm 99 - 39"  
 HS: 53 - 20,9"  
 MC: 0,4  
 MARKS: 0,5  
 KGS: 6

**Art.1321/S**sedia  
chair

W: cm 49 - 19,3"  
 D: cm 44 - 17,3"  
 H: cm 99 - 39"  
 HS: 52 - 20,5"  
 MC: 0,4  
 MARKS: 0,5  
 KGS: 6

**Art.1322/A**capotavola  
armchair

W: cm 59 - 23,2"  
 D: cm 48 - 18,9"  
 H: cm 105 - 41,3"  
 HS: 52 - 20,5"  
 HA: 68 - 26,8"  
 MC: 0,6  
 MARKS: 0,5  
 KGS: 10

**Art.1322/S**sedia  
chair

W: cm 53 - 20,9"  
 D: cm 60 - 23,6"  
 H: cm 105 - 41,3"  
 HS: 52 - 20,5"  
 MC: 0,4  
 MARKS: 0,5  
 KGS: 7

**Art.1323/A**capotavola  
armchair

W: cm 57 - 22,4"  
 D: cm 48 - 18,9"  
 H: cm 105 - 41,3"  
 HS: 51 - 20,1"  
 HA: 68,5 - 27"  
 MC: 0,6  
 MARKS: 0,5  
 KGS: 10

**Art.1450LQ**libreria  
bookcase

W: cm 286,5 - 112,8"  
 D: cm 50 - 19,7"  
 H: cm 219 - 86,2"  
 MC: 1,95  
 MARKS: 7  
 KGS: 186

**Art.1450V2**libreria  
bookcase

W: cm 286,5 - 112,8"  
 D: cm 50 - 19,7"  
 H: cm 219 - 86,2"  
 MC: 1,95  
 MARKS: 7  
 KGS: 186

**Art.1451LQ**vetrina  
cabinet

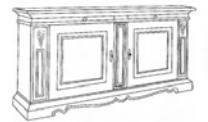
W: cm 157 - 61,8"  
 D: cm 50 - 19,7"  
 H: cm 200 - 78,7"  
 MC: 1,1  
 MARKS: 5  
 KGS: 113

**Art.1451V2**vetrina  
cabinet

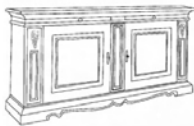
W: cm 157 - 61,8"  
 D: cm 50 - 19,7"  
 H: cm 200 - 78,7"  
 MC: 1,1  
 MARKS: 5  
 KGS: 113

**Art.1452LQ**credenza  
cupboard

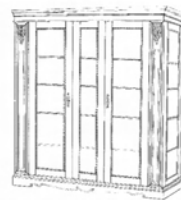
W: cm 230 - 90,6"  
 D: cm 58 - 22,8"  
 H: cm 112 - 44,1"  
 MC: 0,8  
 MARKS: 3  
 KGS: 110,5

**Art.1452V2**credenza  
cupboard

W: cm 230 - 90,6"  
 D: cm 58 - 22,8"  
 H: cm 112 - 44,1"  
 MC: 0,8  
 MARKS: 3  
 KGS: 110,5

**Art.1456LQ**vetrina  
cabinet

W: cm 193 - 76"  
 D: cm 50 - 19,7"  
 H: cm 220 - 86,6"  
 MC: 1,3  
 MARKS: 5  
 KGS: 187

**Art.1456V2**vetrina  
cabinet

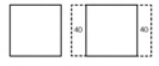
W: cm 193 - 76"  
 D: cm 50 - 19,7"  
 H: cm 220 - 86,6"  
 MC: 1,3  
 MARKS: 5  
 KGS: 187

**Art.1457LQ/T**tavolo  
table

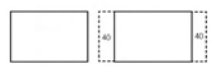
W: cm 100 - 39,4"  
 W(open): cm 180 - 70,9"  
 D: cm 100 - 39,4"  
 H: cm 77 - 30,3"  
 MC: 0,25  
 MARKS: 1  
 KGS: 35

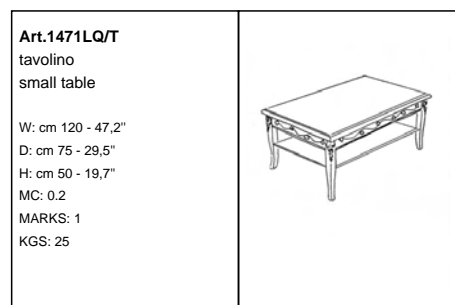
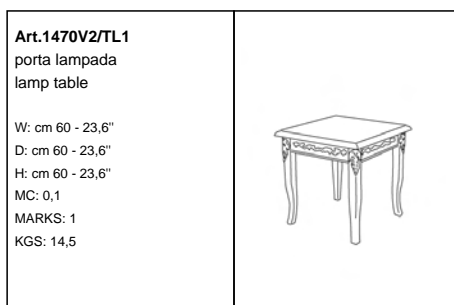
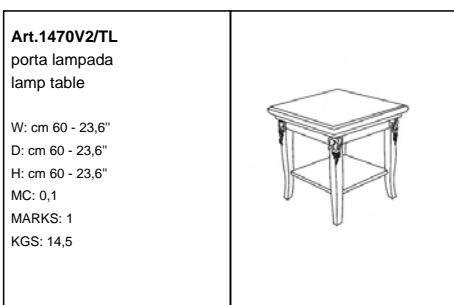
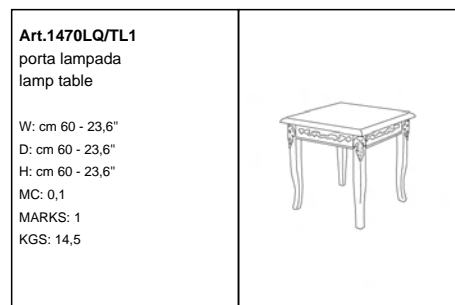
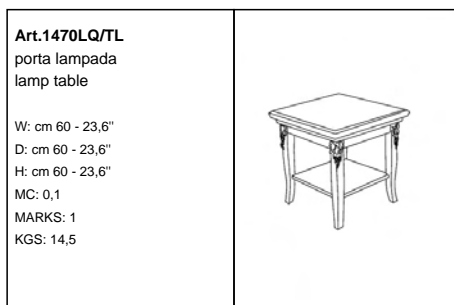
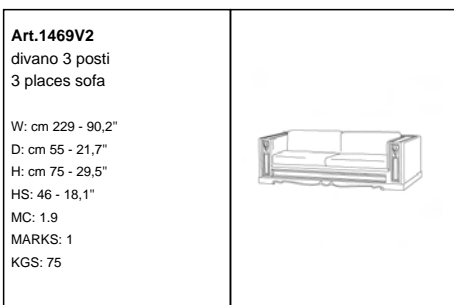
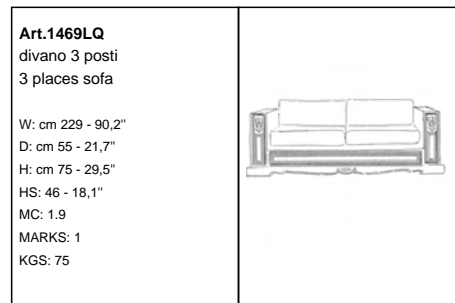
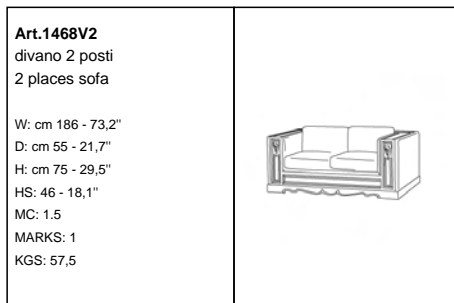
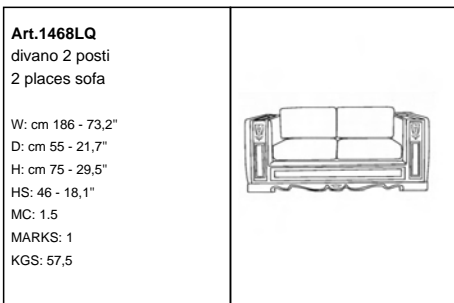
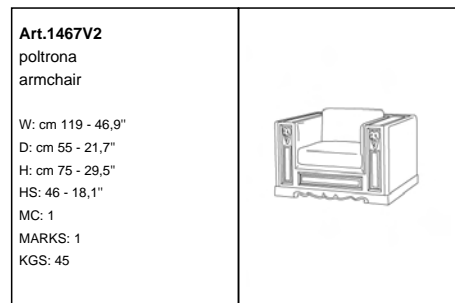
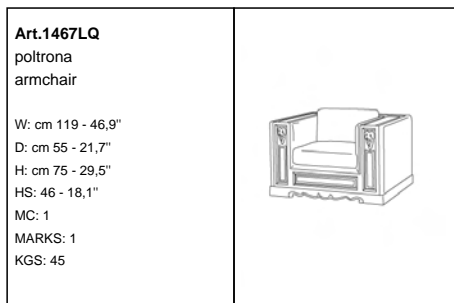
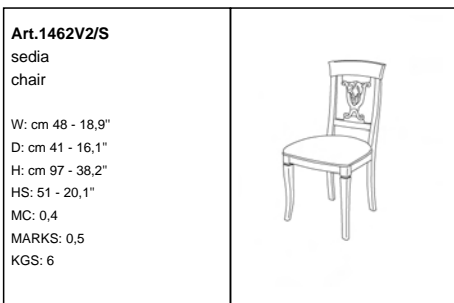
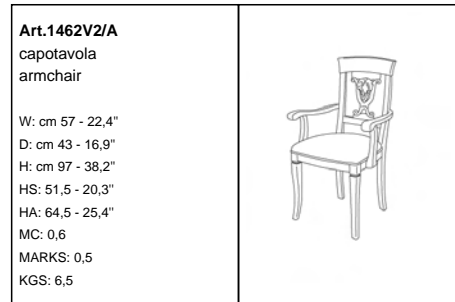
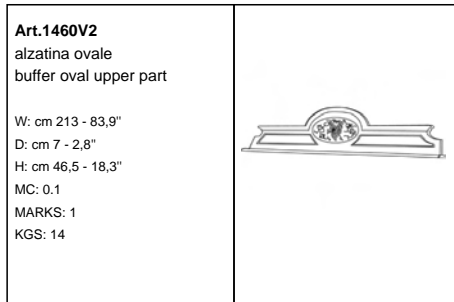
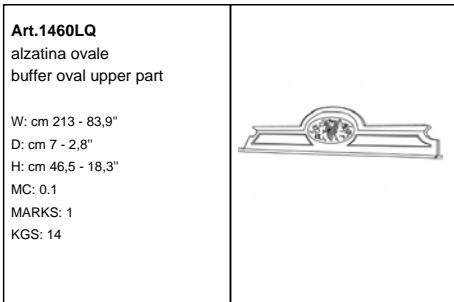
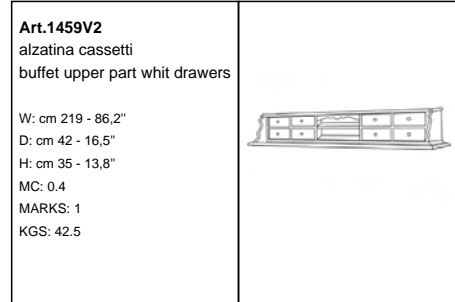
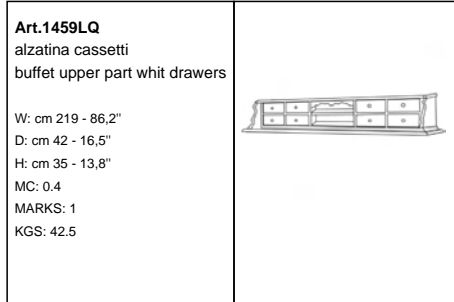
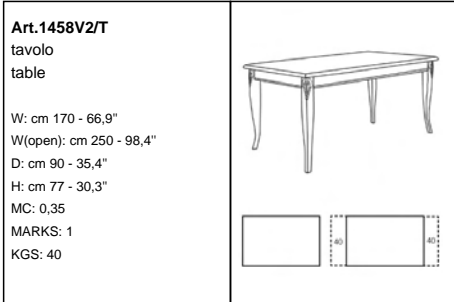
**Art.1457V2/T**tavolo  
table

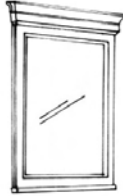
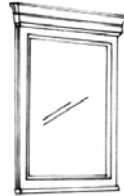
W: cm 100 - 39,4"  
 W(open): cm 180 - 70,9"  
 D: cm 100 - 39,4"  
 H: cm 77 - 30,3"  
 MC: 0,25  
 MARKS: 1  
 KGS: 35

**Art.1458LQ/T**tavolo  
table

W: cm 170 - 66,9"  
 W(open): cm 250 - 98,4"  
 D: cm 90 - 35,4"  
 H: cm 77 - 30,3"  
 MC: 0,35  
 MARKS: 1  
 KGS: 40





**Art.1471LQ/T1**tavolino  
small tableW: cm 120 - 47,2"  
D: cm 75 - 29,5"  
H: cm 50 - 19,7"  
MC: 0,2  
MARKS: 1  
KGS: 25**Art.1471V2/T**tavolino  
small tableW: cm 120 - 47,2"  
D: cm 75 - 29,5"  
H: cm 50 - 19,7"  
MC: 0,2  
MARKS: 1  
KGS: 25**Art.1471V2/T1**tavolino  
small tableW: cm 120 - 47,2"  
D: cm 75 - 29,5"  
H: cm 50 - 19,7"  
MC: 0,2  
MARKS: 1  
KGS: 25**Art.1472LQ**specchiera  
mirrorW: cm 95,5 - 37,6"  
D: cm 9 - 3,5"  
H: cm 110 - 43,3"  
MC: 0,1  
MARKS: 1  
KGS: 15**Art.1472V2**specchiera  
mirrorW: cm 95,5 - 37,6"  
D: cm 9 - 3,5"  
H: cm 110 - 43,3"  
MC: 0,1  
MARKS: 1  
KGS: 15**Art.1473LQ**comò  
chest of drawersW: cm 130 - 51,2"  
D: cm 58 - 22,8"  
H: cm 112,5 - 44,3"  
MC: 0,9  
MARKS: 1  
KGS: 88**Art.1473V2**comò  
chest of drawersW: cm 130 - 51,2"  
D: cm 58 - 22,8"  
H: cm 112,5 - 44,3"  
MC: 0,9  
MARKS: 1  
KGS: 88**Art.1474LQ**comodino  
night tableW: cm 65 - 25,6"  
D: cm 42,5 - 16,7"  
H: cm 65 - 25,6"  
MC: 0,2  
MARKS: 1  
KGS: 27**Art.1474V2**comodino  
night tableW: cm 65 - 25,6"  
D: cm 42,5 - 16,7"  
H: cm 65 - 25,6"  
MC: 0,2  
MARKS: 1  
KGS: 27**Art.1475LQ**letto  
bedW: cm 203 - 79,9"  
D: cm 220 - 86,6"  
H: cm 113 - 44,5"  
MC: 0,8  
MARKS: 3  
KGS: 85**Art.1475V2**letto  
bedW: cm 203 - 79,9"  
D: cm 220 - 86,6"  
H: cm 113 - 44,5"  
MC: 0,8  
MARKS: 3  
KGS: 85**Art.1475Z**rete  
bedspringW: cm 180 - 70,9"  
D: cm 200 - 78,7"  
MC: 0,40  
MARKS: 1  
KGS: 22**Art.1476LQM**armadio  
wardrobeW: cm 283 - 111,4"  
D: cm 65 - 25,6"  
H: cm 250 - 98,4"  
MC: 1,8  
MARKS: 6  
KGS: 250**Art.1476LQW**armadio  
wardrobeW: cm 283 - 111,4"  
D: cm 65 - 25,6"  
H: cm 250 - 98,4"  
MC: 1,8  
MARKS: 6  
KGS: 250**Art.1476V2M**armadio  
wardrobeW: cm 283 - 111,4"  
D: cm 65 - 25,6"  
H: cm 250 - 98,4"  
MC: 1,8  
MARKS: 6  
KGS: 250**Art.1476V2W**armadio  
wardrobeW: cm 283 - 111,4"  
D: cm 65 - 25,6"  
H: cm 250 - 98,4"  
MC: 1,8  
MARKS: 6  
KGS: 250**Art.1477LQM**armadio  
wardrobeW: cm 216 - 85"  
D: cm 65 - 25,6"  
H: cm 250 - 98,4"  
MC: 1,6  
MARKS: 6  
KGS: 185**Art.1477LQW**armadio  
wardrobeW: cm 216 - 85"  
D: cm 65 - 25,6"  
H: cm 250 - 98,4"  
MC: 1,6  
MARKS: 6  
KGS: 185

**Art.1477V2M**  
armadio  
wardrobe

W: cm 216 - 85"  
D: cm 65 - 25,6"  
H: cm 250 - 98,4"  
MC: 1,6  
MARKS: 6  
KGS: 185



**Art.1477V2W**  
armadio  
wardrobe

W: cm 216 - 85"  
D: cm 65 - 25,6"  
H: cm 250 - 98,4"  
MC: 1,6  
MARKS: 6  
KGS: 185



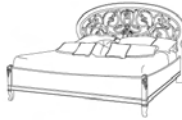
**Art.1478V2**  
letto  
bed

W: cm 202,8 - 79,8"  
D: cm 211,2 - 83,1"  
H: cm 135 - 53,1"  
MC: 0,35  
MARKS: 3  
KGS: 49



**Art.1478V2A**  
letto  
bed

W: cm 202,8 - 79,8"  
D: cm 211,2 - 83,1"  
H: cm 135 - 53,1"  
MC: 0,35  
MARKS: 3  
KGS: 49



**Art.1478Z**  
rete  
bedspring

W: cm 180 - 70,9"  
D: cm 200 - 78,7"  
MC: 0,40  
MARKS: 1  
KGS: 22



**Art.1479V2/A**  
poltrona  
armchair

W: cm 59,5 - 23,4"  
D: cm 48 - 18,9"  
H: cm 86 - 33,9"  
HS: 50 - 19,7"  
HA: 70 - 27,6"  
MC: 0,35  
MARKS: 1  
KGS: 8,5



**Art.1480V2/A**  
poltrona girevole  
swivel armchair

W: cm 59 - 23,2"  
D: cm 50 - 19,7"  
H: cm 86 - 33,9"  
HS: 50 - 19,7"  
HA: 74 - 29,1"  
MC: 0,35  
MARKS: 1  
KGS: 15,5



**Art.1480V2/A1**  
poltrona girevole  
swivel armchair

W: cm 59 - 23,2"  
D: cm 50 - 19,7"  
H: cm 86 - 33,9"  
HS: 50 - 19,7"  
HA: 74 - 29,1"  
MC: 0,35  
MARKS: 1  
KGS: 15,5



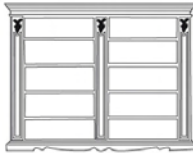
**Art.1481LQ**  
libreria  
bookcase

W: cm 286 - 112,6"  
D: cm 50 - 19,7"  
H: cm 218 - 85,8"  
MC: 1,6  
MARKS: 5  
KGS: 202



**Art.1481LQ/D**  
libreria  
bookcase

W: cm 286 - 112,6"  
D: cm 50 - 19,7"  
H: cm 218 - 85,8"  
MC: 1,6  
MARKS: 5  
KGS: 170



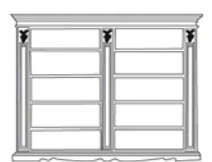
**Art.1481V2**  
libreria  
bookcase

W: cm 286 - 112,6"  
D: cm 50 - 19,7"  
H: cm 218 - 85,8"  
MC: 1,6  
MARKS: 5  
KGS: 202



**Art.1481V2/D**  
libreria  
bookcase

W: cm 286 - 112,6"  
D: cm 50 - 19,7"  
H: cm 218 - 85,8"  
MC: 1,6  
MARKS: 5  
KGS: 170



**Art.1482LQ**  
porta tv  
tv stand

W: cm 157 - 61,8"  
D: cm 57 - 22,4"  
H: cm 200,5 - 78,9"  
MC: 1,1  
MARKS: 4  
KGS: 91,5



**Art.1482V2**  
porta tv  
tv stand

W: cm 157 - 61,8"  
D: cm 57 - 22,4"  
H: cm 200,5 - 78,9"  
MC: 1,1  
MARKS: 4  
KGS: 91,5



**Art.1483LQ**  
retrodivano  
small étagère

W: cm 100 - 39,4"  
D: cm 40 - 15,7"  
H: cm 71 - 28"  
MC: 0,30  
MARKS: 1  
KGS: 26



**Art.1483V2**  
retrodivano  
small étagère

W: cm 100 - 39,4"  
D: cm 40 - 15,7"  
H: cm 71 - 28"  
MC: 0,30  
MARKS: 1  
KGS: 26



**Art.1484LQ**  
retrodivano  
bigger étagère

W: cm 140 - 55,1"  
D: cm 90 - 35,4"  
H: cm 71 - 28"  
MC: 0,45  
MARKS: 1  
KGS: 32



**Art.1484V2**  
retrodivano  
bigger étagère

W: cm 140 - 55,1"  
D: cm 90 - 35,4"  
H: cm 71 - 28"  
MC: 0,45  
MARKS: 1  
KGS: 32





**Art.1486**  
cassettiera interna  
inner drawers

W: cm 65,5 - 25,8"  
D: cm 52,5 - 20,7"  
H: cm 47,5 - 18,7"  
MC: 0.2  
MARKS: 1  
KGS: 6



**Art.1487**  
cassettiera interna  
inner drawers

W: cm 127,5 - 50,2"  
D: cm 52,5 - 20,7"  
H: cm 47,5 - 18,7"  
MC: 0.35  
MARKS: 1  
KGS: 10



**Art.1488V2/T**  
tavolo ovale  
oval table

W: cm 160 - 63"  
W(open): cm 210 - 82,7"  
D: cm 110 - 43,3"  
H: cm 77 - 30,3"  
MC: 0.42  
MARKS: 2  
KGS: 59



**Art.1489LQ**  
mobile bar  
bar stand

W: cm 234 - 92,1"  
D: cm 70,5 - 27,8"  
H: cm 221 - 87"  
MC: 2.9  
MARKS: 8  
KGS: 266.5



**Art.1489V2**  
mobile bar  
bar stand

W: cm 234 - 92,1"  
D: cm 70,5 - 27,8"  
H: cm 221 - 87"  
MC: 2.9  
MARKS: 8  
KGS: 266.5



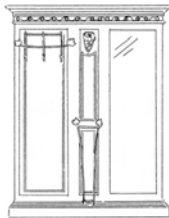
**Art.1490V2/B**  
sgabello  
bar stool

W: cm 47 - 18,5"  
D: cm 40 - 15,7"  
H: cm 108 - 42,5"  
HS: 84 - 33,1"  
MC: 0.3  
MARKS: 1  
KGS: 7



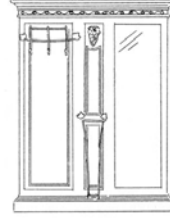
**Art.1491LQ**  
entrata  
equipped entrance

W: cm 161 - 63,4"  
D: cm 10 - 3,9"  
H: cm 200 - 78,7"  
MC: 0.45  
MARKS: 2  
KGS: 53



**Art.1491V2**  
entrata  
equipped entrance

W: cm 161 - 63,4"  
D: cm 10 - 3,9"  
H: cm 200 - 78,7"  
MC: 0.45  
MARKS: 2  
KGS: 53



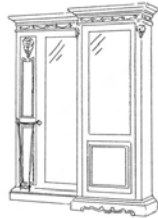
**Art.1492LQ**  
entrata  
equipped entrance

W: cm 172 - 67,7"  
D: cm 41,5 - 16,3"  
H: cm 200 - 78,7"  
MC: 0.95  
MARKS: 3  
KGS: 82



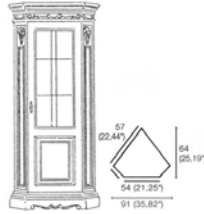
**Art.1492V2**  
entrata  
equipped entrance

W: cm 172 - 67,7"  
D: cm 41,5 - 16,3"  
H: cm 200 - 78,7"  
MC: 0.95  
MARKS: 3  
KGS: 82



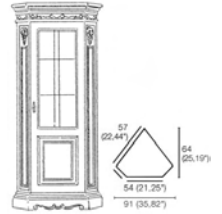
**Art.1494LQ**  
angolo  
corner

W: cm 90 - 35,4"  
D: cm 60 - 23,6"  
H: cm 200,5 - 78,9"  
MC: 0.9  
MARKS: 2  
KGS: 58



**Art.1494V2**  
angolo  
corner

W: cm 90 - 35,4"  
D: cm 60 - 23,6"  
H: cm 200,5 - 78,9"  
MC: 0.9  
MARKS: 2  
KGS: 58



**Art.1495LQ**  
cassettiera  
chest of drawers

W: cm 85 - 33,5"  
D: cm 48 - 18,9"  
H: cm 151,5 - 59,6"  
MC: 0.7  
MARKS: 1  
KGS: 67



**Art.1495V2**  
cassettiera  
chest of drawers

W: cm 85 - 33,5"  
D: cm 48 - 18,9"  
H: cm 151,5 - 59,6"  
MC: 0.7  
MARKS: 1  
KGS: 67



**Art.1496LQ**  
scrivania  
writing-desk

W: cm 200 - 78,7"  
D: cm 84 - 33,1"  
H: cm 80 - 31,5"  
MC: 1,1  
MARKS: 3  
KGS: 152



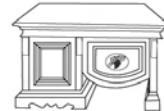
**Art.1496V2**  
scrivania  
writing-desk

W: cm 200 - 78,7"  
D: cm 84 - 33,1"  
H: cm 80 - 31,5"  
MC: 1,1  
MARKS: 3  
KGS: 152



**Art.1497LQ**  
scrivania  
writing-desk

W: cm 142 - 55,9"  
D: cm 84 - 33,1"  
H: cm 80 - 31,5"  
MC: 0.6  
MARKS: 2  
KGS: 96.5



**Art.1497V2**  
scrivania  
writing-desk

W: cm 142 - 55,9"  
D: cm 84 - 33,1"  
H: cm 80 - 31,5"  
MC: 0.6  
MARKS: 2  
KGS: 96.5



**Art.1498**  
portagioie piccolo  
small jewel box

W: cm 43,5 - 17,1"  
D: cm 34 - 13,4"  
H: cm 18 - 7,1"  
MC: 0.05  
MARKS: 1  
KGS: 7



**Art.1498L**  
portagioie grande  
large jewel box

W: cm 48,5 - 19,1"  
D: cm 39 - 15,4"  
H: cm 19 - 7,5"  
MC: 0.05  
MARKS: 1  
KGS: 8



**Art.1499**  
portasigari piccolo  
small humidur

W: cm 43,5 - 17,1"  
D: cm 34 - 13,4"  
H: cm 18 - 7,1"  
MC: 0.05  
MARKS: 1  
KGS: 7



**Art.1499L**  
portasigari grande  
large humidur

W: cm 48,5 - 19,1"  
D: cm 39 - 15,4"  
H: cm 19 - 7,5"  
MC: 0.05  
MARKS: 1  
KGS: 8



**Art.1500LQ**  
penisola  
lengthening

W: cm 110 - 43,3"  
D: cm 61 - 24"  
H: cm 80 - 31,5"  
MC: 0,4  
MARKS: 2  
KGS: 34



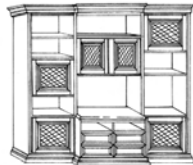
**Art.1500V2**  
penisola  
lengthening

W: cm 110 - 43,3"  
D: cm 61 - 24"  
H: cm 80 - 31,5"  
MC: 0,4  
MARKS: 2  
KGS: 34



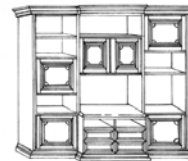
**Art.1600V2**  
libreria  
wall unit

W: cm 260 - 102,4"  
D: cm 58 - 22,8"  
H: cm 242 - 95,3"  
MC: 2.4  
MARKS: 6  
KGS: 190



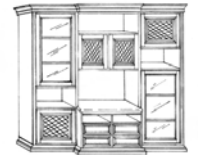
**Art.1600V3**  
libreria  
wall unit

W: cm 260 - 102,4"  
D: cm 58 - 22,8"  
H: cm 242 - 95,3"  
MC: 2.4  
MARKS: 6  
KGS: 190



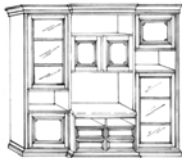
**Art.1601V2**  
libreria  
wall unit

W: cm 260 - 102,4"  
D: cm 58 - 22,8"  
H: cm 242 - 95,3"  
MC: 2.4  
MARKS: 6  
KGS: 190



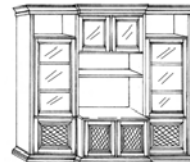
**Art.1601V3**  
libreria  
wall unit

W: cm 260 - 102,4"  
D: cm 58 - 22,8"  
H: cm 242 - 95,3"  
MC: 2.4  
MARKS: 6  
KGS: 190



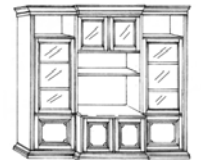
**Art.1602V2**  
libreria  
wall unit

W: cm 260 - 102,4"  
D: cm 58 - 22,8"  
H: cm 242 - 95,3"  
MC: 2.4  
MARKS: 6  
KGS: 190



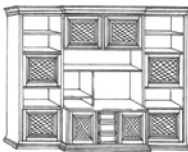
**Art.1602V3**  
libreria  
wall unit

W: cm 260 - 102,4"  
D: cm 58 - 22,8"  
H: cm 242 - 95,3"  
MC: 2.4  
MARKS: 6  
KGS: 190



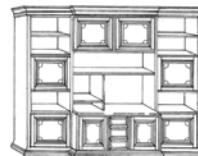
**Art.1603V2**  
libreria  
wall unit

W: cm 295 - 116,1"  
D: cm 58 - 22,8"  
H: cm 242 - 95,3"  
MC: 2.6  
MARKS: 6  
KGS: 190



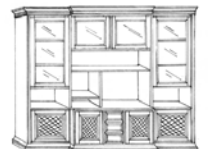
**Art.1603V3**  
libreria  
wall unit

W: cm 295 - 116,1"  
D: cm 58 - 22,8"  
H: cm 242 - 95,3"  
MC: 2.6  
MARKS: 6  
KGS: 190



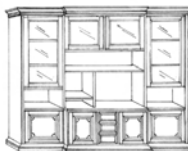
**Art.1604V2**  
libreria  
wall unit

W: cm 295 - 116,1"  
D: cm 58 - 22,8"  
H: cm 242 - 95,3"  
MC: 2.6  
MARKS: 6  
KGS: 190



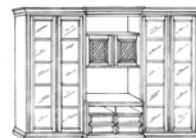
**Art.1604V3**  
libreria  
wall unit

W: cm 295 - 116,1"  
D: cm 58 - 22,8"  
H: cm 242 - 95,3"  
MC: 2.6  
MARKS: 6  
KGS: 190



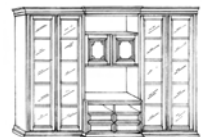
**Art.1605V2**  
libreria  
wall unit

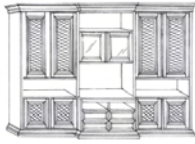
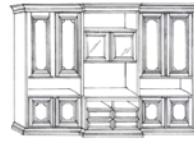
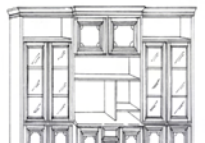
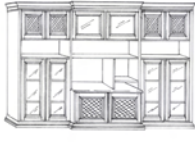
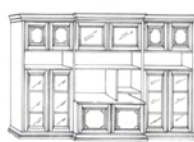
W: cm 328 - 129,1"  
D: cm 58 - 22,8"  
H: cm 242 - 95,3"  
MC: 3.4  
MARKS: 6  
KGS: 220



**Art.1605V3**  
libreria  
wall unit

W: cm 328 - 129,1"  
D: cm 58 - 22,8"  
H: cm 242 - 95,3"  
MC: 3.4  
MARKS: 6  
KGS: 220



**Art.1606V2**libreria  
wall unitW: cm 328 - 129,1"  
D: cm 58 - 22,8"  
H: cm 242 - 95,3"  
MC: 3.4  
MARKS: 6  
KGS: 220**Art.1606V3**libreria  
wall unitW: cm 328 - 129,1"  
D: cm 58 - 22,8"  
H: cm 242 - 95,3"  
MC: 3.4  
MARKS: 6  
KGS: 220**Art.1607V2**libreria  
wall unitW: cm 328 - 129,1"  
D: cm 58 - 22,8"  
H: cm 242 - 95,3"  
MC: 3.4  
MARKS: 6  
KGS: 220**Art.1607V3**libreria  
wall unitW: cm 328 - 129,1"  
D: cm 58 - 22,8"  
H: cm 242 - 95,3"  
MC: 3.4  
MARKS: 6  
KGS: 220**Art.1608V2**libreria  
wall unitW: cm 363 - 142,9"  
D: cm 58 - 22,8"  
H: cm 242 - 95,3"  
MC: 3.6  
MARKS: 6  
KGS: 230**Art.1608V3**libreria  
wall unitW: cm 363 - 142,9"  
D: cm 58 - 22,8"  
H: cm 242 - 95,3"  
MC: 3.6  
MARKS: 6  
KGS: 230**Art.1609V2**libreria  
wall unitW: cm 363 - 142,9"  
D: cm 58 - 22,8"  
H: cm 242 - 95,3"  
MC: 3.6  
MARKS: 6  
KGS: 230**Art.1609V3**libreria  
wall unitW: cm 363 - 142,9"  
D: cm 58 - 22,8"  
H: cm 242 - 95,3"  
MC: 3.6  
MARKS: 6  
KGS: 230**Art.1700/B**sgabello  
bar stoolW: cm 60 - 23,6"  
D: cm 54 - 21,3"  
H: cm 133 - 52,4"  
HS: 81 - 31,9"  
HA: 94 - 37"  
MC: 0.50  
MARKS: 1  
KGS: 13**Art.1701/B**sgabello  
bar stoolW: cm 58 - 22,8"  
D: cm 54 - 21,3"  
H: cm 129 - 50,8"  
HS: 79 - 31,1"  
HA: 96,5 - 38"  
MC: 0.50  
MARKS: 1  
KGS: 13**Art.1702/B**sgabello  
bar stoolW: cm 61 - 24"  
D: cm 54 - 21,3"  
H: cm 129 - 50,8"  
HS: 79 - 31,1"  
HA: 100 - 39,4"  
MC: 0.50  
MARKS: 1  
KGS: 13,5**Art.1704/B**sgabello  
bar stoolW: cm 46 - 18,1"  
D: cm 44 - 17,3"  
H: cm 123 - 48,4"  
HS: 81 - 31,9"  
MC: 0.30  
MARKS: 1  
KGS: 16,5**Art.1704/T**tavolino rotondo  
round small tableØ: 80 - 31,5"  
H: cm 109 - 42,9"  
MC: 0.6  
MARKS: 1  
KGS: 25**Art.1705/B**sgabello  
bar stoolW: cm 50 - 19,7"  
D: cm 50 - 19,7"  
H: cm 117 - 46,1"  
HS: 80 - 31,5"  
MC: 0.30  
MARKS: 1  
KGS: 16**Art.1705/T**tavolino rotondo  
round small tableH: cm 109 - 42,9"  
MC: 0.6  
MARKS: 1  
KGS: 25**Art.1706/B**sgabello  
bar stoolW: ~~60~~ 58,1"  
D: cm 44 - 17,3"  
H: cm 117 - 46,1"  
HS: 82 - 32,3"  
MC: 0.30  
MARKS: 1  
KGS: 16**Art.1707/T**tavolino rotondo  
round small tableH: cm 109 - 42,9"  
MC: 0.6  
MARKS: 1  
KGS: 25**Art.1708/A**poltrona  
armchairW: cm 85 - 33,5"  
D: cm 68 - 26,8"  
H: cm 95 - 37,4"  
HS: 48 - 18,9"  
HA: 63 - 24,8"  
MC: 0.7  
MARKS: 1  
KGS: 14

**Art.1708/O**  
pouff  
ottoman

W: cm 85 - 33,5"  
D: cm 80 - 31,5"  
H: cm 48 - 18,9"  
HS: 48 - 18,9"  
MC: 0,3  
MARKS: 1  
KGS: 5



**Art.1709/A**  
poltrona  
armchair

W: cm 74 - 29,1"  
D: cm 62 - 24,4"  
H: cm 106 - 41,7"  
HS: 46 - 18,1"  
HA: 66 - 26"  
MC: 0,6  
MARKS: 1  
KGS: 11



**Art.1712/A**  
capotavola  
armchair

W: cm 59 - 23,2"  
D: cm 48 - 18,9"  
H: cm 105 - 41,3"  
HS: 52 - 20,5"  
HA: 68 - 26,8"  
MC: 0,6  
MARKS: 0,5  
KGS: 10



**Art.1712/S**  
sedia  
chair

W: cm 53 - 20,9"  
D: cm 60 - 23,6"  
H: cm 105 - 41,3"  
HS: 52 - 20,5"  
MC: 0,4  
MARKS: 0,5  
KGS: 7



**Art.1713/A**  
poltrona girevole  
office swivel armchair

W: cm 73 - 28,7"  
D: cm 58 - 22,8"  
H: cm 120 - 47,2"  
HS: 52 - 20,5"  
HA: 76 - 29,9"  
MC: 0,70  
MARKS: 1  
KGS: 20



**Art.1722SW**  
divano 2 posti giorno  
2 places sofa w/shelves compar

W: cm 186 - 73,2"  
D: cm 100 - 39,4"  
H: cm 75 - 29,5"  
HS: 46 - 18,1"  
MC: 1,5  
MARKS: 1  
KGS: 65,5



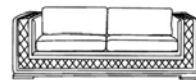
**Art.1722V2**  
divano 2 posti giorno  
2 places sofa w/shelves compar

W: cm 186 - 73,2"  
D: cm 100 - 39,4"  
H: cm 75 - 29,5"  
HS: 46 - 18,1"  
MC: 1,5  
MARKS: 1  
KGS: 65,5



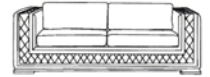
**Art.1723SW**  
divano 2 posti  
2 places sofa

W: cm 186 - 73,2"  
D: cm 100 - 39,4"  
H: cm 75 - 29,5"  
HS: 46 - 18,1"  
MC: 1,5  
MARKS: 1  
KGS: 57,5



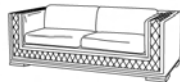
**Art.1723V2**  
divano 2 posti  
2 places sofa

W: cm 186 - 73,2"  
D: cm 100 - 39,4"  
H: cm 75 - 29,5"  
HS: 46 - 18,1"  
MC: 1,5  
MARKS: 1  
KGS: 57,5



**Art.1724SW**  
divano 3 posti  
3 places sofa

W: cm 229 - 90,2"  
D: cm 55 - 21,7"  
H: cm 75 - 29,5"  
HS: 46 - 18,1"  
MC: 1,9  
MARKS: 1  
KGS: 75



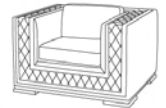
**Art.1724V2**  
divano 3 posti  
3 places sofa

W: cm 229 - 90,2"  
D: cm 55 - 21,7"  
H: cm 75 - 29,5"  
HS: 46 - 18,1"  
MC: 1,9  
MARKS: 1  
KGS: 75



**Art.1725SW**  
poltrona  
armchair

W: cm 119 - 46,9"  
D: cm 100 - 39,4"  
H: cm 75 - 29,5"  
HS: 46 - 18,1"  
MC: 1  
MARKS: 1  
KGS: 45



**Art.1725V2**  
poltrona  
armchair

W: cm 119 - 46,9"  
D: cm 100 - 39,4"  
H: cm 75 - 29,5"  
HS: 46 - 18,1"  
MC: 1  
MARKS: 1  
KGS: 45



**Art.1726/A**  
poltrona  
armchair

W: cm 74 - 29,1"  
D: cm 60 - 23,6"  
H: cm 104 - 40,9"  
HS: 50 - 19,7"  
HA: 71 - 28"  
MC: 0,7  
MARKS: 1  
KGS: 19



**Art.1729/A**  
poltrona  
armchair

W: cm 78 - 30,7"  
D: cm 63 - 24,8"  
H: cm 109 - 42,9"  
HS: 48 - 18,9"  
HA: 67 - 26,4"  
MC: 0,7  
MARKS: 1  
KGS: 18,5



**Art.1730/A**  
poltrona

W: cm 73 - 28,7"  
D: cm 58 - 22,8"  
H: cm 97 - 38,2"  
HS: 45 - 17,7"  
HA: 67 - 26,4"  
MC: 0,7  
MARKS: 1  
KGS: 14



**Art.1735/S**  
sedia  
chair

W: cm 71 - 28"  
D: cm 53 - 20,9"  
H: cm 104 - 40,9"  
HS: 47 - 18,5"  
MC: 0,5  
MARKS: 1  
KGS: 10,2



**Art.1736/A**  
poltrona  
armchair

W: cm 110 - 43,3"  
D: cm 64 - 25,2"  
H: cm 106 - 41,7"  
HS: 44 - 17,3"  
HA: 78 - 30,7"  
MC: 1,2  
MARKS: 1  
KGS: 26



**Art.1736/L**divano  
sofa

W: cm 238 - 93,7"  
 D: cm 64 - 25,2"  
 H: cm 110,5 - 43,5"  
 HS: 44 - 17,3"  
 HA: 78 - 30,7"  
 MC: 2,65  
 MARKS: 1  
 KGS: 48

**Art.1737/A**poltrona  
armchair

W: cm 110 - 43,3"  
 D: cm 64 - 25,2"  
 H: cm 106 - 41,7"  
 HS: 44 - 17,3"  
 HA: 78 - 30,7"  
 MC: 1,2  
 MARKS: 1  
 KGS: 26

**Art.1737/L**divano  
sofa

W: cm 238 - 93,7"  
 D: cm 64 - 25,2"  
 H: cm 110,5 - 43,5"  
 HS: 44 - 17,3"  
 HA: 78 - 30,7"  
 MC: 2,65  
 MARKS: 1  
 KGS: 48

**Art.1738/L**divano  
sofa

W: cm 225 - 88,6"  
 D: cm 62 - 24,4"  
 H: cm 111 - 43,7"  
 HS: 54 - 21,3"  
 MC: 2,5  
 MARKS: 1  
 KGS: 64

**Art.1739/L**dormeuse  
dormeuse

W: cm 160 - 63"  
 D: cm 74 - 29,1"  
 H: cm 91 - 35,8"  
 HS: 41 - 16,1"  
 HA: 67 - 26,4"  
 MC: 1,25  
 MARKS: 1  
 KGS: 13,5

**Art.1740/L**panca  
bench

W: cm 184,5 - 72,6"  
 D: cm 55 - 21,7"  
 H: cm 65 - 25,6"  
 HS: 41 - 16,1"  
 MC: 0,75  
 MARKS: 1  
 KGS: 26,5

**Art.1741/L**divano  
sofa

W: cm 220 - 86,6"  
 D: cm 64 - 25,2"  
 H: cm 90 - 35,4"  
 HS: 42 - 16,5"  
 MC: 2,25  
 MARKS: 1  
 KGS: 54

**Art.1742/A**poltrona  
armchair

W: cm 73 - 28,7"  
 D: cm 56 - 22"  
 H: cm 105 - 41,3"  
 HS: 49 - 19,3"  
 HA: 66 - 26"  
 MC: 0,75  
 MARKS: 1  
 KGS: 15

**Art.1743/A**poltrona  
armchair

W: cm 76 - 29,9"  
 D: cm 60 - 23,6"  
 H: cm 111,5 - 43,9"  
 HS: 51 - 20,1"  
 HA: 66,5 - 26,2"  
 MC: 0,9  
 MARKS: 1  
 KGS: 19

**Art.1744/A**poltrona  
armchair

W: cm 82 - 32,3"  
 D: cm 60 - 23,6"  
 H: cm 114 - 44,9"  
 HS: 51 - 20,1"  
 HA: 64 - 25,2"  
 MC: 0,9  
 MARKS: 1  
 KGS: 21

**Art.1745/A**poltrona  
armchair

W: cm 69 - 27,2"  
 D: cm 50 - 19,7"  
 H: cm 109 - 42,9"  
 HS: 50 - 19,7"  
 HA: 63 - 24,8"  
 MC: 0,6  
 MARKS: 1  
 KGS: 15,5

**Art.1746/A**poltrona  
armchair

W: cm 77 - 30,3"  
 D: cm 55 - 21,7"  
 H: cm 109 - 42,9"  
 HS: 53 - 20,9"  
 HA: 68 - 26,8"  
 MC: 0,7  
 MARKS: 1  
 KGS: 15

**Art.1747/O**pouff  
ottoman

W: cm 60 - 23,6"  
 D: cm 44 - 17,3"  
 H: cm 42 - 16,5"  
 MC: 0,13  
 MARKS: 1  
 KGS: 6

**Art.1749/L**dormeuse  
dormeuse

W: cm 156 - 61,4"  
 D: cm 62 - 24,4"  
 H: cm 120 - 47,2"  
 HS: 38 - 15"  
 HA: 62 - 24,4"  
 MC: 1,6  
 MARKS: 1  
 KGS: 22

**Art.1750/L**divano  
sofa

W: cm 205 - 80,7"  
 D: cm 60 - 23,6"  
 H: cm 97 - 38,2"  
 HS: 43 - 16,9"  
 HA: 60 - 23,6"  
 MC: 1,5  
 MARKS: 1  
 KGS: 23

**Art.1751/L**dormeuse  
dormeuse

W: cm 196 - 77,2"  
 D: cm 65 - 25,6"  
 H: cm 104 - 40,9"  
 HS: 44 - 17,3"  
 HA: 82 - 32,3"  
 MC: 1,6  
 MARKS: 1  
 KGS: 39,5

**Art.1752/L**dormeuse  
dormeuse

W: cm 180 - 70,9"  
 D: cm 58 - 22,8"  
 H: cm 88 - 34,6"  
 HS: 43 - 16,9"  
 MC: 1,2  
 MARKS: 1  
 KGS: 34


**Art.1753/L**dormeuse  
dormeuse

W: cm 180 - 70,9"  
 D: cm 60 - 23,6"  
 H: cm 88 - 34,6"  
 HS: 44 - 17,3"  
 HA: 76 - 29,9"  
 MC: 1,5  
 MARKS: 1  
 KGS: 27,5




**Art.1754/A**  
poltrona  
armchair

W: cm 74 - 29,1"  
D: cm 56 - 22"  
H: cm 110 - 43,3"  
HS: 47 - 18,5"  
HA: 64 - 25,2"  
MC: 0,6  
MARKS: 1  
KGS: 20




**Art.1755/A**  
poltrona  
armchair

W: cm 79 - 31,1"  
D: cm 56 - 22"  
H: cm 108 - 42,5"  
HS: 52 - 20,5"  
HA: 68 - 26,8"  
MC: 0,6  
MARKS: 1  
KGS: 21




**Art.1756/A**  
poltrona  
armchair

W: cm 104 - 40,9"  
D: cm 65 - 25,6"  
H: cm 107 - 42,1"  
HS: 42 - 16,5"  
HA: 73 - 28,7"  
MC: 1  
MARKS: 1  
KGS: 20




**Art.1757/A**  
poltrona  
armchair

W: cm 107 - 42,1"  
D: cm 65 - 25,6"  
H: cm 120 - 47,2"  
HS: 52 - 20,5"  
HA: 73 - 28,7"  
MC: 1  
MARKS: 1  
KGS: 27




**Art.1758/A**  
poltrona baby  
baby armchair

W: cm 72 - 28,3"  
D: cm 40 - 15,7"  
H: cm 88 - 34,6"  
HS: 36 - 14,2"  
HA: 57 - 22,4"  
MC: 0,35  
MARKS: 1  
KGS: 13,5




**Art.1759/A**  
poltrona  
armchair

W: cm 68 - 26,8"  
D: cm 60 - 23,6"  
H: cm 100 - 39,4"  
HS: 45 - 17,7"  
HA: 59 - 23,2"  
MC: 0,6  
MARKS: 1  
KGS: 15



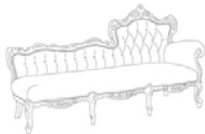
**Art.1760/A**  
poltrona girevole  
swivel armchair

W: cm 78 - 30,7"  
D: cm 55 - 21,7"  
H: cm 116 - 45,7"  
HS: 49 - 19,3"  
HA: 74 - 29,1"  
MC: 0,8  
MARKS: 1  
KGS: 23




**Art.1761/L**  
dormeuse  
dormeuse

W: cm 202 - 79,5"  
D: cm 60 - 23,6"  
H: cm 104 - 40,9"  
HS: 45 - 17,7"  
HA: 68 - 26,8"  
MC: 1,65  
MARKS: 1  
KGS: 25




**Art.1762/A**  
poltrona  
armchair

W: cm 78 - 30,7"  
D: cm 55 - 21,7"  
H: cm 104 - 40,9"  
HS: 45 - 17,7"  
HA: 62 - 24,4"  
MC: 0,8  
MARKS: 1  
KGS: 19



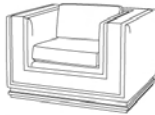
**Art.1762/O**  
pouff  
ottoman

W: cm 64 - 25,2"  
D: cm 48 - 18,9"  
H: cm 45 - 17,7"  
HS: 45 - 17,7"  
MC: 0,15  
MARKS: 1  
KGS: 7




**Art.1842**  
poltrona  
armchair

W: cm 119 - 46,9"  
D: cm 100 - 39,4"  
H: cm 75 - 29,5"  
HS: 46 - 18,1"  
MC: 0,9  
MARKS: 1  
KGS: 50




**Art.1843**  
divano 2 posti  
2 places sofa

W: cm 186 - 73,2"  
D: cm 100 - 39,4"  
H: cm 75 - 29,5"  
HS: 46 - 18,1"  
MC: 1,5  
MARKS: 1  
KGS: 72,5




**Art.1844**  
divano 3 posti  
3 places sofa

W: cm 229 - 90,2"  
D: cm 100 - 39,4"  
H: cm 75 - 29,5"  
HS: 46 - 18,1"  
MC: 1,75  
MARKS: 1  
KGS: 80




**Art.1845/TL**  
portalampada piano in legno  
lamp stand wooden top

W: cm 60 - 23,6"  
D: cm 60 - 23,6"  
H: cm 60 - 23,6"  
MC: 0,22  
MARKS: 1  
KGS: 25




**Art.1845/TL1**  
portalampada piano in pelle  
lamp stand leather top

W: cm 60 - 23,6"  
D: cm 60 - 23,6"  
H: cm 60 - 23,6"  
MC: 0,22  
MARKS: 1  
KGS: 25




**Art.1846/T**  
tavolino piano in legno  
small table wooden top

W: cm 120 - 47,2"  
D: cm 75 - 29,5"  
H: cm 50 - 19,7"  
MC: 0,45  
MARKS: 1  
KGS: 45




**Art.1846/T1**  
tavolino piano in pelle  
small table leather top

W: cm 120 - 47,2"  
D: cm 75 - 29,5"  
H: cm 50 - 19,7"  
MC: 0,45  
MARKS: 1  
KGS: 45



**Art.1847/T**  
tavolo rettangolare  
rectangular table

W: cm 160 - 63"  
D: cm 80 - 31,5"  
H: cm 77 - 30,3"  
MC: 0,4  
MARKS: 1  
KGS: 60



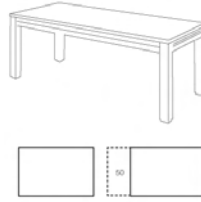
**Art.1848/T**  
tavolo rettangolare  
rectangular table

W: cm 180 - 70,9"  
D: cm 95 - 37,4"  
H: cm 77 - 30,3"  
MC: 0.4  
MARKS: 1  
KGS: 65



**Art.1849/T**  
tavolo rettangolare  
rectangular table

W: cm 200 - 78,7"  
W(open): cm 250 - 98,4"  
D: cm 95 - 37,4"  
H: cm 77 - 30,3"  
MC: 0.4  
MARKS: 1  
KGS: 80



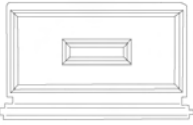
**Art.1850**  
vetrina  
cabinet

W: cm 99,5 - 39,2"  
D: cm 55 - 21,7"  
H: cm 191 - 75,2"  
MC: 1.2  
MARKS: 2  
KGS: 105



**Art.1851**  
credenza  
cupboard

W: cm 150 - 59,1"  
D: cm 57 - 22,4"  
H: cm 88,5 - 34,8"  
MC: 0.8  
MARKS: 1  
KGS: 89



**Art.1853**  
cassettiera  
chest of drawers

W: cm 67,5 - 26,6"  
D: cm 44 - 17,3"  
H: cm 136,5 - 53,7"  
MC: 0.5  
MARKS: 1  
KGS: 59



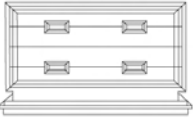
**Art.1854**  
retrodivano  
small étagere

W: cm 103 - 40,6"  
D: cm 34 - 13,4"  
H: cm 79 - 31,1"  
MC: 0.3  
MARKS: 1  
KGS: 31



**Art.1856**  
comò  
chest of drawers

W: cm 150 - 59,1"  
D: cm 57 - 22,4"  
H: cm 88,5 - 34,8"  
MC: 0.8  
MARKS: 1  
KGS: 104



**Art.1857**  
specchiera  
mirror

W: cm 150 - 59,1"  
D: cm 110 - 43,3"  
H: cm 4 - 1,6"  
MC: 0.01  
MARKS: 1  
KGS: 20



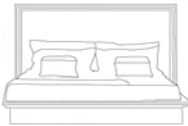
**Art.1858**  
comodino  
night table

W: cm 67,5 - 26,6"  
D: cm 44 - 17,3"  
H: cm 52 - 20,5"  
MC: 0.2  
MARKS: 1  
KGS: 32



**Art.1859**  
letto  
bed

W: cm 228,5 - 90"  
D: cm 213,5 - 84,1"  
H: cm 136 - 53,5"  
MC: 0.6  
MARKS: 3  
KGS: 70



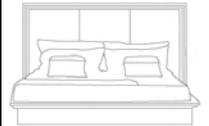
**Art.1859Z**  
rete  
bedspring

W: cm 180 - 70,9"  
D: cm 200 - 78,7"  
MC: 0.40  
MARKS: 1  
KGS: 22



**Art.1860**  
letto imbottito  
quilted bed

W: cm 228,5 - 90"  
D: cm 213,5 - 84,1"  
H: cm 136 - 53,5"  
MC: 0.6  
MARKS: 3  
KGS: 70



**Art.1860Z**  
rete  
bedspring

W: cm 180 - 70,9"  
D: cm 200 - 78,7"  
MC: 0.40  
MARKS: 1  
KGS: 22



**Art.1861**  
porta tv  
tv stand

W: cm 156 - 61,4"  
D: cm 56,5 - 22,2"  
H: cm 202 - 79,5"  
MC: 1.2  
MARKS: 4  
KGS: 110



**Art.1863**  
boiserie  
boiserie

W: cm 468 - 184,3"  
D: cm 4 - 1,6"  
H: cm 228 - 89,8"  
MC: 0.5  
MARKS: 2  
KGS: 60



**Art.2502/A**  
capotavola  
armchair

W: cm 57 - 22,4"  
D: cm 48 - 18,9"  
H: cm 107 - 42,1"  
HS: 52 - 20,5"  
HA: 66,5 - 26,2"  
MC: 0.60  
MARKS: 0.5  
KGS: 7,5



**Art.2502/S**  
sedia  
chair

W: cm 49 - 19,3"  
D: cm 44 - 17,3"  
H: cm 107 - 42,1"  
HS: 52 - 20,5"  
MC: 0.40  
MARKS: 0.5  
KGS: 6,5



**Art.2506/A**  
capotavola  
armchair

W: cm 57,5 - 22,6"  
D: cm 48 - 18,9"  
H: cm 107 - 42,1"  
HS: 52 - 20,5"  
HA: 68 - 26,8"  
MC: 0.60  
MARKS: 0.5  
KGS: 8



**Art.2506/S**sedia  
chair

W: cm 50 - 19,7"  
 D: cm 44 - 17,3"  
 H: cm 107 - 42,1"  
 HS: 52 - 20,5"  
 MC: 0,4  
 MARKS: 0,5  
 KGS: 6,5

**Art.2508/A**capotavola  
armchair

W: cm 57 - 22,4"  
 D: cm 48 - 18,9"  
 H: cm 104 - 40,9"  
 HS: 51 - 20,1"  
 HA: 66,5 - 26,2"  
 MC: 0,60  
 MARKS: 0,5  
 KGS: 7,5

**Art.2508/S**sedia  
chair

W: cm 49 - 19,3"  
 D: cm 44 - 17,3"  
 H: cm 104 - 40,9"  
 HS: 53 - 20,9"  
 MC: 0,4  
 MARKS: 0,5  
 KGS: 6

**Art.2510/A**capotavola  
armchair

W: cm 57 - 22,4"  
 D: cm 48 - 18,9"  
 H: cm 104 - 40,9"  
 HS: 51 - 20,1"  
 HA: 66,5 - 26,2"  
 MC: 0,6  
 MARKS: 0,5  
 KGS: 7,5

**Art.2510/S**sedia  
chair

W: cm 49 - 19,3"  
 D: cm 44 - 17,3"  
 H: cm 104 - 40,9"  
 HS: 53 - 20,9"  
 MC: 0,4  
 MARKS: 0,5  
 KGS: 6

**Art.2550/T**  
tavolo ovale  
oval table

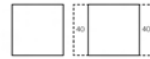
W: cm 110 - 43,3"  
 W(open): cm 260 - 102,4"  
 D: cm 80 - 31,5"  
 H: cm 80 - 31,5"  
 MC: 0,45  
 MARKS: 3  
 KGS: 80

**Art.2551/T**tavolo quadrato  
square table

W: cm 100 - 39,4"  
 D: cm 100 - 39,4"  
 H: cm 80 - 31,5"  
 MC: 0,18  
 MARKS: 2  
 KGS: 50

**Art.2552/T**tavolo quadrato  
square table

W: cm 120 - 47,2"  
 W(open): cm 200 - 78,7"  
 D: cm 120 - 47,2"  
 H: cm 80 - 31,5"  
 MC: 0,25  
 MARKS: 2  
 KGS: 65

**Art.2553/T**tavolo rettangolare  
rectangular table

W: cm 140 - 55,1"  
 W(open): cm 220 - 86,6"  
 D: cm 85 - 33,5"  
 H: cm 80 - 31,5"  
 MC: 0,28  
 MARKS: 2  
 KGS: 55

**Art.2554/T**tavolino rotondo  
round table

Ø: 90 35,4"  
 H: cm 75 - 29,5"  
 MC: 0,61  
 MARKS: 1  
 KGS: 25

**Art.2555/T**tavolino rotondo  
round table

H: cm 77 - 30,3"  
 MC: 0,75  
 MARKS: 1  
 KGS: 35

**Art.2556/T**tavolo quadrato  
square table

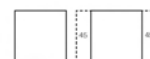
W: cm 110 - 43,3"  
 W(open): cm 200 - 78,7"  
 D: cm 110 - 43,3"  
 H: cm 80 - 31,5"  
 MC: 0,22  
 MARKS: 2  
 KGS: 80

**Art.2557/T**tavolo rettangolare  
rectangular table

W: cm 180 - 70,9"  
 W(open): cm 280 - 110,2"  
 D: cm 100 - 39,4"  
 H: cm 80 - 31,5"  
 MC: 0,40  
 MARKS: 2  
 KGS: 90

**Art.2558/T**tavolo quadrato  
square table

W: cm 110 - 43,3"  
 W(open): cm 200 - 78,7"  
 D: cm 110 - 43,3"  
 H: cm 80 - 31,5"  
 MC: 0,22  
 MARKS: 2  
 KGS: 80

**Art.2559/T**tavolo rettangolare  
rectangular table

W: cm 180 - 70,9"  
 W(open): cm 280 - 110,2"  
 D: cm 100 - 39,4"  
 H: cm 80 - 31,5"  
 MC: 0,33  
 MARKS: 2  
 KGS: 90

**Art.2560/T**tavolo quadrato  
square table

Ø: ~~100~~ 107,29,4"  
 W(open): cm 180 - 70,9"  
 D: cm 100 - 39,4"  
 H: cm 80 - 31,5"  
 MC: 0,18  
 MARKS: 2  
 KGS: 50

**Art.2561/T**tavolo rettangolare  
rectangular table

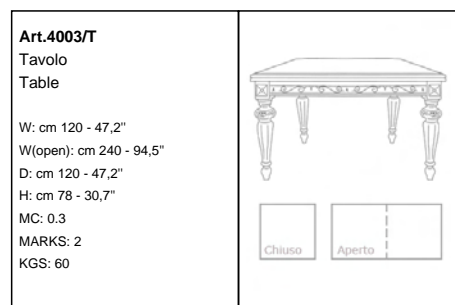
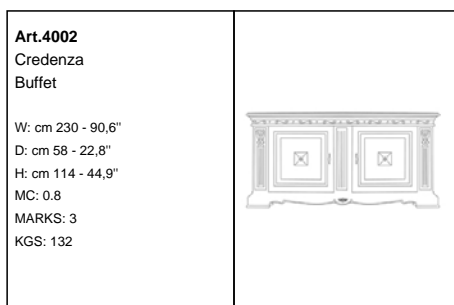
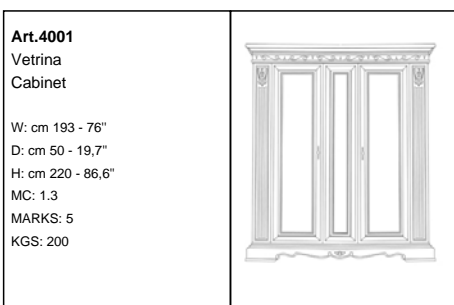
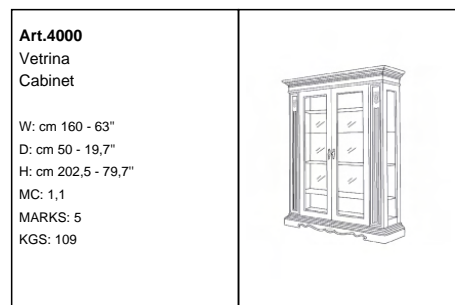
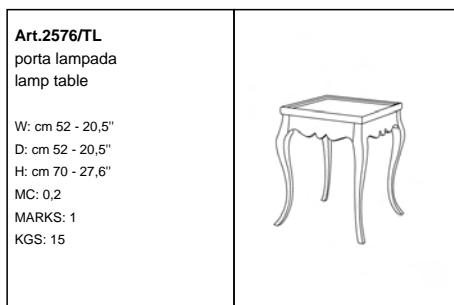
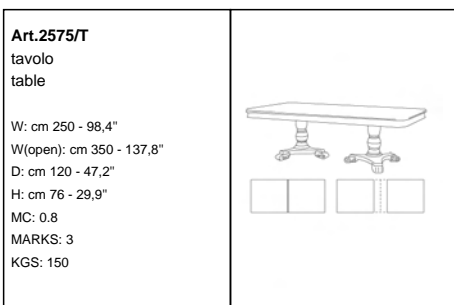
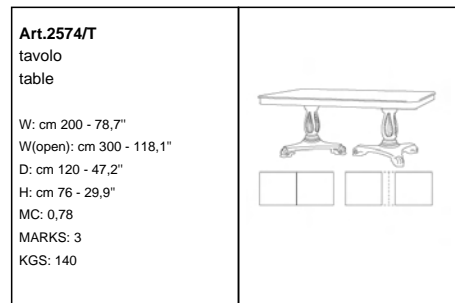
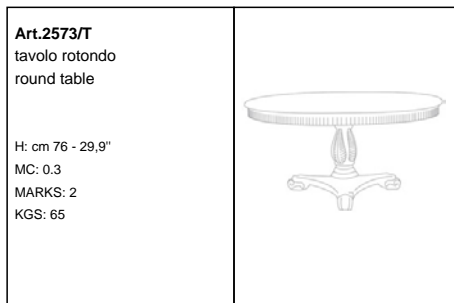
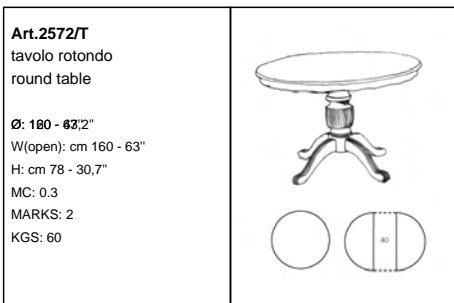
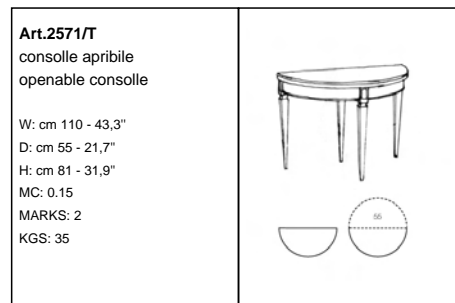
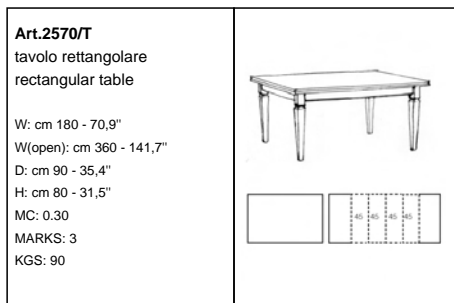
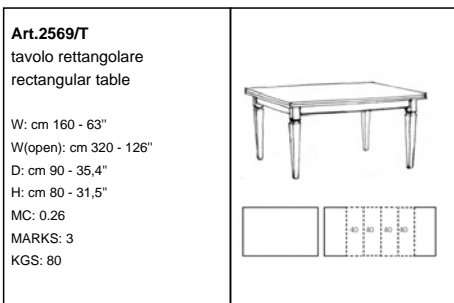
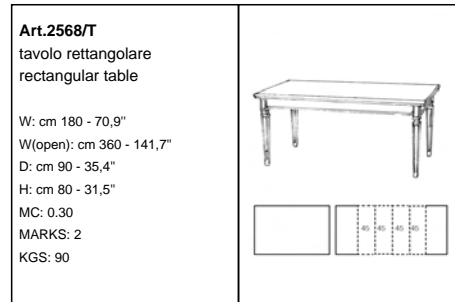
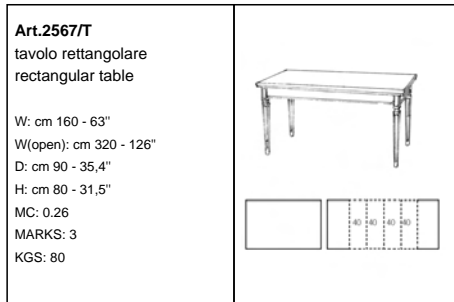
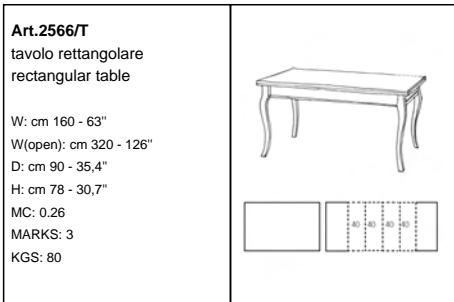
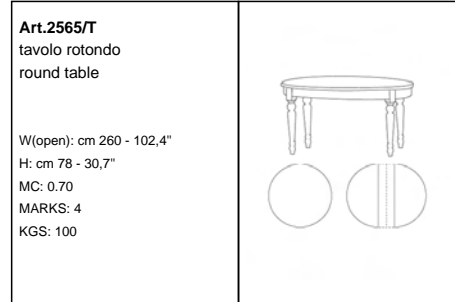
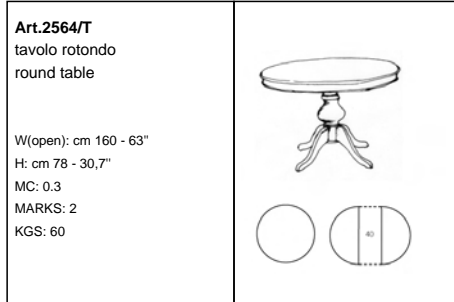
W: cm 160 - 63"  
 W(open): cm 240 - 94,5"  
 D: cm 85 - 33,5"  
 H: cm 80 - 31,5"  
 MC: 0,25  
 MARKS: 2  
 KGS: 65

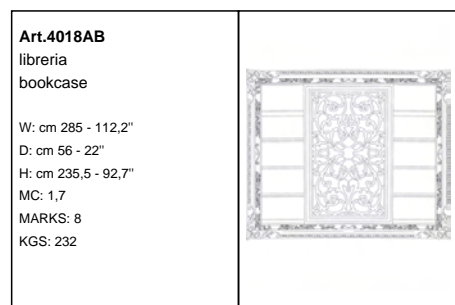
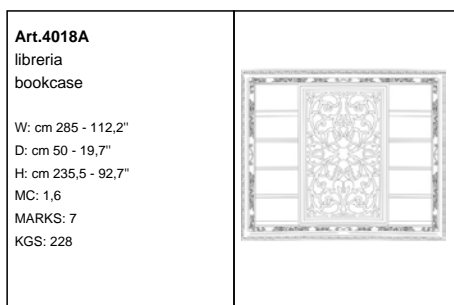
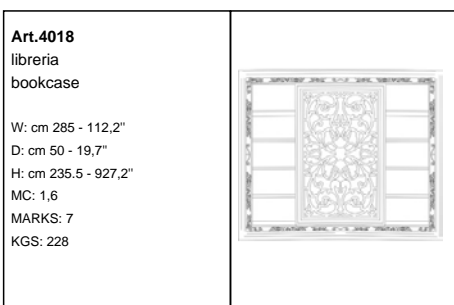
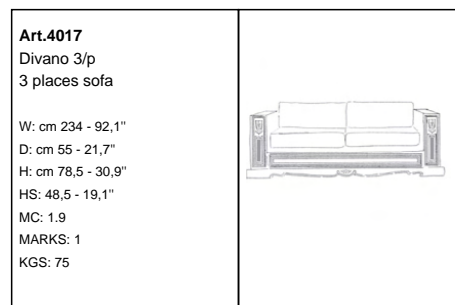
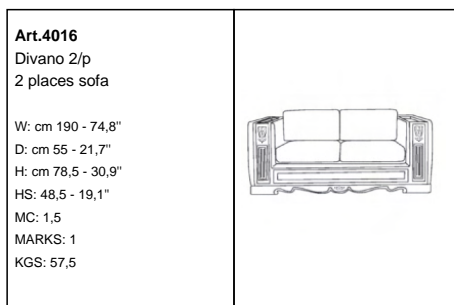
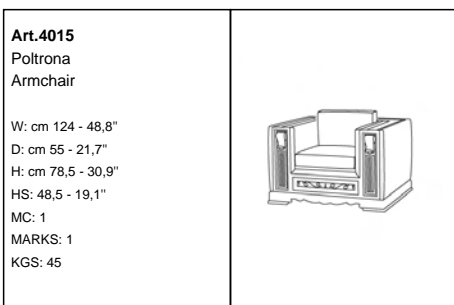
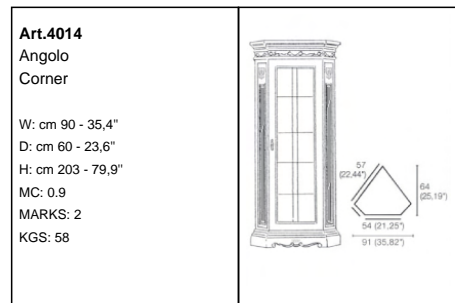
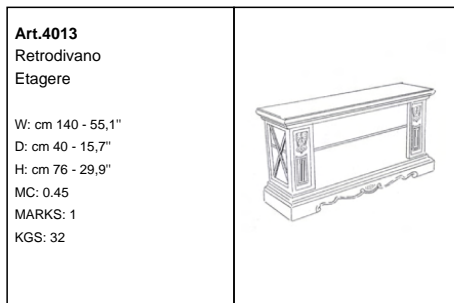
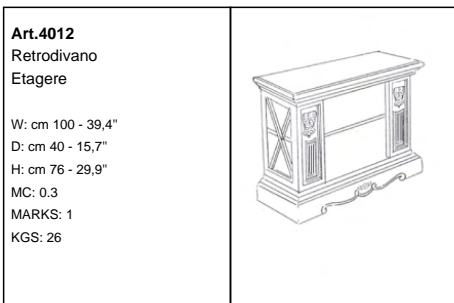
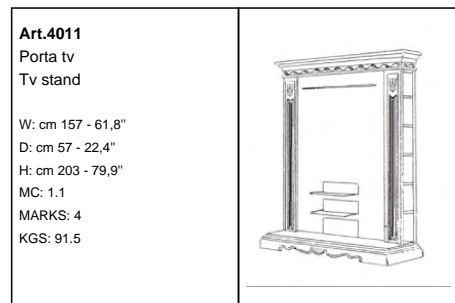
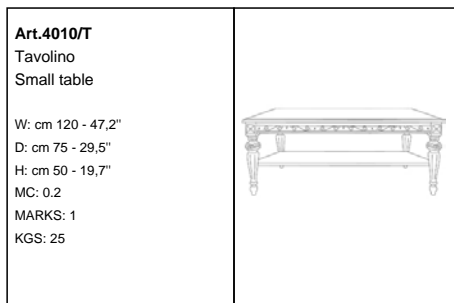
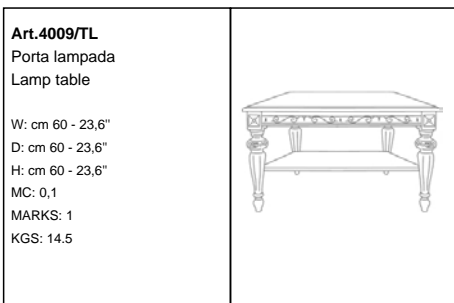
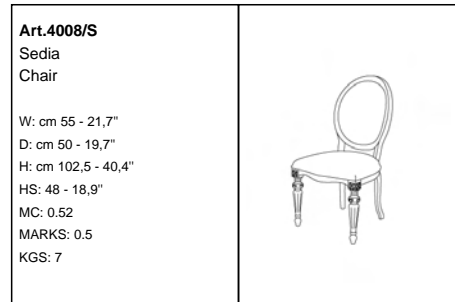
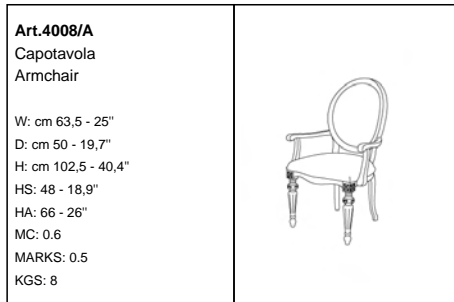
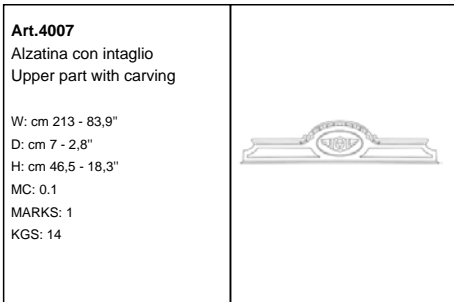
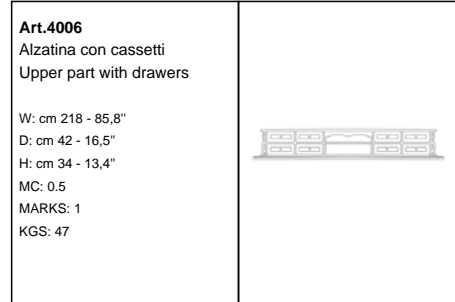
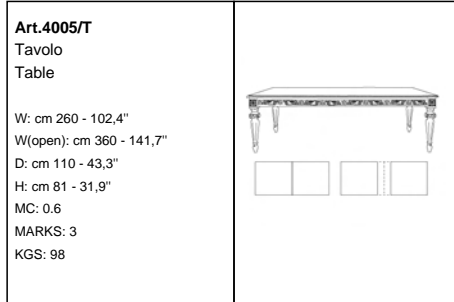
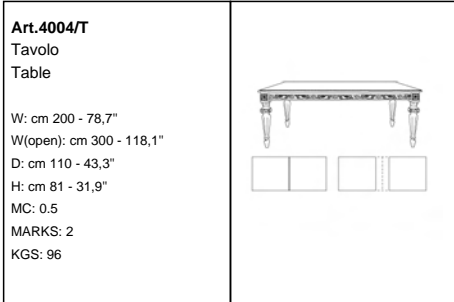
**Art.2562/T**tavolo rotondo  
round table

W(open): cm 160 - 63"  
 H: cm 77 - 30,3"  
 MC: 0,26  
 MARKS: 2  
 KGS: 55









**Art.4018B**  
libreria  
bookcase

W: cm 285 - 112,2"  
D: cm 56 - 22"  
H: cm 235,5 - 927,2"  
MC: 1,7  
MARKS: 8  
KGS: 232



**Art.4019**  
specchiera  
mirror

W: cm 118 - 46,5"  
D: cm 51 - 20,1"  
H: cm 214 - 84,3"  
MC: 1,45  
MARKS: 1  
KGS: 84



**Art.4019A**  
specchiera  
mirror

W: cm 118 - 46,5"  
D: cm 51 - 20,1"  
H: cm 214 - 84,3"  
MC: 1,45  
MARKS: 1  
KGS: 84



**Art.4019AB**  
specchiera  
mirror

W: cm 118 - 46,5"  
D: cm 55 - 21,7"  
H: cm 214 - 84,3"  
MC: 1,45  
MARKS: 1  
KGS: 88



**Art.4019B**  
specchiera  
mirror

W: cm 118 - 46,5"  
D: cm 55 - 21,7"  
H: cm 214 - 84,3"  
MC: 1,45  
MARKS: 1  
KGS: 88



**Art.4020**  
letto  
bed

W: cm 213 - 83,9"  
D: cm 210 - 82,7"  
H: cm 182 - 71,7"  
MC: 0,8  
MARKS: 3  
KGS: 81,5



**Art.4020A**  
letto  
bed

W: cm 213 - 83,9"  
D: cm 210 - 82,7"  
H: cm 182 - 71,7"  
MC: 0,8  
MARKS: 3  
KGS: 81,5



**Art.4020AB**  
letto  
bed

W: cm 213 - 83,9"  
D: cm 210 - 82,7"  
H: cm 182 - 71,7"  
MC: 0,8  
MARKS: 3  
KGS: 83,5



**Art.4020B**  
letto  
bed

W: cm 213 - 83,9"  
D: cm 210 - 82,7"  
H: cm 182 - 71,7"  
MC: 0,8  
MARKS: 3  
KGS: 83,5



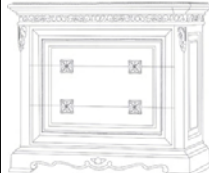
**Art.4021**  
comodino  
night table

W: cm 65,5 - 25,8"  
D: cm 42,5 - 16,7"  
H: cm 68 - 26,8"  
MC: 0,2  
MARKS: 1  
KGS: 30



**Art.4022**  
comò  
chest of drawers

W: cm 130 - 51,2"  
D: cm 58 - 22,8"  
H: cm 116 - 45,7"  
MC: 0,9  
MARKS: 1  
KGS: 90



**Art.4023**  
specchiera  
mirror

W: cm 95,5 - 37,6"  
D: cm 9 - 3,5"  
H: cm 110 - 43,3"  
MC: 0,1  
MARKS: 1  
KGS: 15



**Art.4024**  
specchiera  
mirror

W: cm 195 - 76,8"  
D: cm 12 - 4,7"  
H: cm 149 - 58,7"  
MC: 0,68  
MARKS: 1  
KGS: 92



**Art.4024A**  
specchiera  
mirror

W: cm 195 - 76,8"  
D: cm 12 - 4,7"  
H: cm 149 - 58,7"  
MC: 0,68  
MARKS: 1  
KGS: 92



**Art.4024AB**  
specchiera  
mirror

W: cm 195 - 76,8"  
D: cm 18 - 7,1"  
H: cm 149 - 58,7"  
MC: 0,68  
MARKS: 1  
KGS: 96



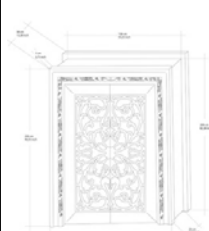
**Art.4024B**  
specchiera  
mirror

W: cm 195 - 76,8"  
D: cm 18 - 7,1"  
H: cm 149 - 58,7"  
MC: 0,68  
MARKS: 1  
KGS: 96



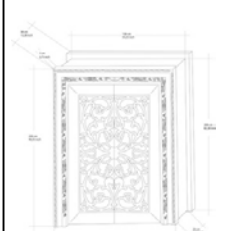
**Art.4025**  
porta a scomparsa  
hiding door

W: cm 178 - 70,1"  
D: cm 34 - 13,4"  
H: cm 230 - 90,6"  
MC: 0,95  
MARKS: 4  
KGS: 116



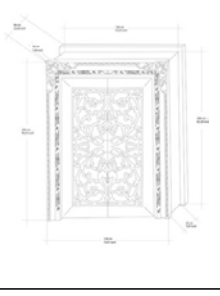
**Art.4025A**  
porta a scomparsa  
hiding door

W: cm 178 - 70,1"  
D: cm 34 - 13,4"  
H: cm 230 - 90,6"  
MC: 0,95  
MARKS: 4  
KGS: 116



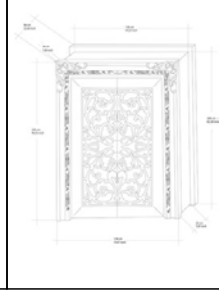
**Art.4025AB**  
porta a scomparsa  
hiding door

W: cm 178 - 70,1"  
D: cm 56 - 22"  
H: cm 230 - 90,6"  
MC: 1,05  
MARKS: 5  
KGS: 120



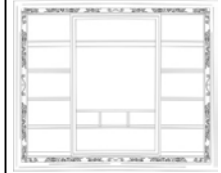
**Art.4025B**  
porta a scomparsa  
hiding door

W: cm 178 - 70,1"  
D: cm 56 - 22"  
H: cm 230 - 90,6"  
MC: 1,05  
MARKS: 5  
KGS: 120



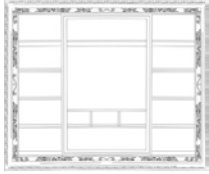
**Art.4026**  
libreria  
bookcase

W: cm 285 - 112,2"  
D: cm 50 - 19,7"  
H: cm 235,5 - 92,7"  
MC: 1,6  
MARKS: 8  
KGS: 223



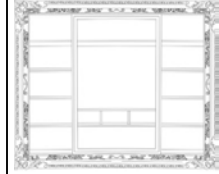
**Art.4026A**  
libreria  
bookcase

W: cm 285 - 112,2"  
D: cm 50 - 19,7"  
H: cm 235,5 - 92,7"  
MC: 1,6  
MARKS: 8  
KGS: 223



**Art.4026AB**  
libreria  
bookcase

W: cm 285 - 112,2"  
D: cm 56 - 22"  
H: cm 235,5 - 92,7"  
MC: 1,7  
MARKS: 9  
KGS: 227



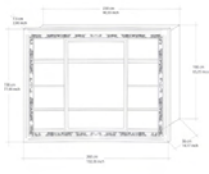
**Art.4026B**  
libreria  
bookcase

W: cm 285 - 112,2"  
D: cm 56 - 22"  
H: cm 235,5 - 92,7"  
MC: 1,7  
MARKS: 9  
KGS: 227



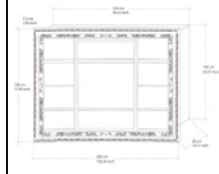
**Art.4027**  
libreria da incasso  
hollow wall library

W: cm 260 - 102,4"  
D: cm 7,5 - 3"  
H: cm 198 - 78"  
MC: 0,65  
MARKS: 6  
KGS: 127



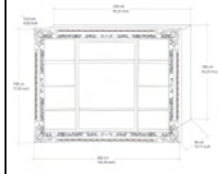
**Art.4027A**  
libreria da incasso  
hollow wall library

W: cm 260 - 102,4"  
D: cm 7,5 - 3"  
H: cm 198 - 78"  
MC: 0,65  
MARKS: 6  
KGS: 127



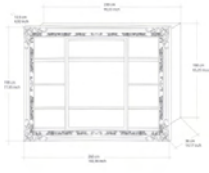
**Art.4027AB**  
libreria da incasso  
hollow wall library

W: cm 260 - 102,4"  
D: cm 12,5 - 4,9"  
H: cm 198 - 78"  
MC: 0,7  
MARKS: 7  
KGS: 131



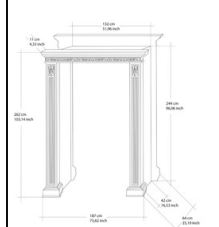
**Art.4027B**  
libreria da incasso  
hollow wall library

W: cm 260 - 102,4"  
D: cm 12,5 - 4,9"  
H: cm 198 - 78"  
MC: 0,7  
MARKS: 7  
KGS: 131



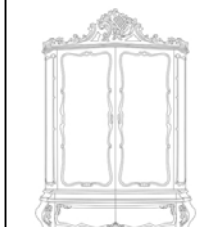
**Art.4028**  
portale  
portal

W: cm 187 - 73,6"  
D: cm 64 - 25,2"  
H: cm 262 - 103,1"  
MC: 1,2  
MARKS: 3  
KGS: 75



**Art.4500**  
Vetrina  
Cabinet

W: cm 164 - 64,6"  
D: cm 43 - 16,9"  
H: cm 237,5 - 93,5"  
MC: 1,65  
MARKS: 3  
KGS: 123



**Art.4501**  
Credenza  
Buffet

W: cm 212 - 83,5"  
D: cm 68 - 26,8"  
H: cm 110,5 - 43,5"  
MC: 1,7  
MARKS: 1  
KGS: 87



**Art.4502**  
Specchiera  
Mirror

W: cm 196,5 - 77,4"  
D: cm 7 - 2,8"  
H: cm 128 - 50,4"  
MC: 0,1  
MARKS: 1  
KGS: 21



**Art.4503/T**  
Tavolo  
Table

W: cm 220 - 86,6"  
W(open): cm 320 - 126"  
D: cm 124 - 48,8"  
H: cm 81,5 - 32,1"  
MC: 0,6  
MARKS: 2  
KGS: 118



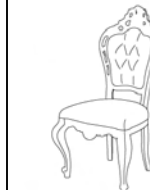
**Art.4504/A**  
Capotavola  
Armchair

W: cm 60,5 - 23,8"  
D: cm 48 - 18,9"  
H: cm 115 - 45,3"  
HS: 50 - 19,7"  
HA: 70 - 27,6"  
MC: 0,6  
MARKS: 0,5  
KGS: 12



**Art.4504/S**  
Sedia  
Chair

W: cm 60,5 - 23,8"  
D: cm 44 - 17,3"  
H: cm 115 - 45,3"  
HS: 50 - 19,7"  
MC: 0,55  
MARKS: 0,5  
KGS: 9



**Art.4550**  
Letto  
Bed

W: cm 214 - 84,3"  
D: cm 214 - 84,3"  
H: cm 183 - 72"  
MC: 0,5  
MARKS: 3  
KGS: 65



**Art.4550Z**

rete  
bedspring

W: cm 180 - 70,9"  
D: cm 200 - 78,7"  
MC: 0,40  
MARKS: 1  
KGS: 22



**Art.4551**

Comò  
Chest of drawers

W: cm 147,5 - 58,1"  
D: cm 60 - 23,6"  
H: cm 101 - 39,8"  
MC: 1,05  
MARKS: 1  
KGS: 65



**Art.4552**  
Specchiera  
Mirror

W: cm 143,5 - 56,5"  
D: cm 7 - 2,8"  
H: cm 136 - 53,5"  
MC: 0,1  
MARKS: 1  
KGS: 18



**Art.4553**

Comodino  
Night table

W: cm 70,5 - 27,8"  
D: cm 39 - 15,4"  
H: cm 73 - 28,7"  
MC: 0,3  
MARKS: 1  
KGS: 21



**Art.4554/L**

Panca  
Bench

W: cm 110 - 43,3"  
D: cm 45 - 17,7"  
H: cm 45 - 17,7"  
MC: 0,4  
MARKS: 1  
KGS: 17



**Art.4555**

Comoncino  
Small commode

W: cm 127,5 - 50,2"  
D: cm 62 - 24,4"  
H: cm 90 - 35,4"  
MC: 0,75  
MARKS: 1  
KGS: 46



**Art.4556**

Specchiera  
Mirror

W: cm 117 - 46,1"  
D: cm 5,5 - 2,2"  
H: cm 119 - 46,9"  
MC: 0,085  
MARKS: 1  
KGS: 12



**Art.4557/L**

Panca  
Bench

W: cm 114 - 44,9"  
D: cm 50 - 19,7"  
H: cm 56 - 22"  
MC: 0,4  
MARKS: 1  
KGS: 13



**Art.6000/A**

poltrona  
armchair

W: cm 73 - 28,7"  
D: cm 55 - 21,7"  
H: cm 98 - 38,6"  
HS: 45 - 17,7"  
HA: 64 - 25,2"  
MC: 0,6  
MARKS: 1  
KGS: 12



**Art.6000/O**

pouf  
ottoman

W: cm 73 - 28,7"  
D: cm 55 - 21,7"  
H: cm 46 - 18,1"  
MC: 0,2  
MARKS: 1  
KGS: 7



**Art.6001/A**

poltrona  
armchair

W: cm 72 - 28,3"  
D: cm 56 - 22"  
H: cm 96 - 37,8"  
HS: 43 - 16,9"  
HA: 68 - 26,8"  
MC: 0,6  
MARKS: 1  
KGS: 16



**Art.6001/O**

pouf  
ottoman

W: cm 72 - 28,3"  
D: cm 55 - 21,7"  
H: cm 42 - 16,5"  
MC: 0,2  
MARKS: 1  
KGS: 10



**Art.6002/A**

poltrona  
armchair

W: cm 70 - 27,6"  
D: cm 52 - 20,5"  
H: cm 95 - 37,4"  
HS: 45 - 17,7"  
HA: 64 - 25,2"  
MC: 0,6  
MARKS: 1  
KGS: 12



**Art.6003/A**

capotavola  
armchair

W: cm 70 - 27,6"  
D: cm 54 - 21,3"  
H: cm 95 - 37,4"  
HS: 45 - 17,7"  
HA: 65 - 25,6"  
MC: 0,6  
MARKS: 1  
KGS: 10



**Art.6004/A**

poltrona  
armchair

W: cm 61 - 24"  
D: cm 48 - 18,9"  
H: cm 74 - 29,1"  
HS: 46 - 18,1"  
HA: 59,5 - 23,4"  
MC: 0,35  
MARKS: 1  
KGS: 13,5



**Art.6006/A**

poltrona  
armchair

W: cm 73 - 28,7"  
D: cm 63 - 24,8"  
H: cm 102 - 40,2"  
HS: 44,5 - 17,5"  
HA: 67 - 26,4"  
MC: 0,6  
MARKS: 1  
KGS: 12,5



**Art.6006/O**

pouf  
ottoman

W: cm 73 - 28,7"  
D: cm 54 - 21,3"  
H: cm 45 - 17,7"  
MC: 0,2  
MARKS: 1  
KGS: 6



**Art.6007/A**

poltrona  
armchair

W: cm 64 - 25,2"  
D: cm 48 - 18,9"  
H: cm 111 - 43,7"  
HS: 42 - 16,5"  
HA: 61 - 24"  
MC: 0,6  
MARKS: 1  
KGS: 11



**Art.6008/A**  
poltrona  
armchair

W: cm 62 - 24,4"  
D: cm 48 - 18,9"  
H: cm 105 - 41,3"  
HS: 42,5 - 16,7"  
HA: 60 - 23,6"  
MC: 0,6  
MARKS: 1  
KGS: 11



**Art.6008/L**  
divanetto  
loveseat

W: cm 122 - 48"  
D: cm 50 - 19,7"  
H: cm 107 - 42,1"  
HS: 42 - 16,5"  
HA: 60 - 23,6"  
MC: 1,05  
MARKS: 1  
KGS: 15



**Art.6009/A**  
poltrona  
armchair

W: cm 62 - 24,4"  
D: cm 48 - 18,9"  
H: cm 103 - 40,6"  
HS: 42 - 16,5"  
HA: 62 - 24,4"  
MC: 0,6  
MARKS: 1  
KGS: 11



**Art.6009/L**  
divanetto  
loveseat

W: cm 122 - 48"  
D: cm 50 - 19,7"  
H: cm 102 - 40,2"  
HS: 44 - 17,3"  
HA: 62 - 24,4"  
MC: 1,05  
MARKS: 1  
KGS: 15



**Art.6011/A**  
poltrona  
armchair

W: cm 72 - 28,3"  
D: cm 48 - 18,9"  
H: cm 108 - 42,5"  
HS: 41 - 16,1"  
HA: 64 - 25,2"  
MC: 0,6  
MARKS: 1  
KGS: 11



**Art.6011/L**  
divanetto  
loveseat

W: cm 124 - 48,8"  
D: cm 50 - 19,7"  
H: cm 108 - 42,5"  
HS: 43 - 16,9"  
HA: 62 - 24,4"  
MC: 1,05  
MARKS: 1  
KGS: 15



**Art.6012/A**  
poltrona  
armchair

W: cm 71 - 28"  
D: cm 48 - 18,9"  
H: cm 103 - 40,6"  
HS: 42 - 16,5"  
HA: 62 - 24,4"  
MC: 0,6  
MARKS: 1  
KGS: 11



**Art.6012/L**  
divanetto  
loveseat

W: cm 127 - 50"  
D: cm 50 - 19,7"  
H: cm 101 - 39,8"  
HS: 42 - 16,5"  
HA: 64 - 25,2"  
MC: 1,05  
MARKS: 1  
KGS: 15



**Art.6013/A**  
poltrona  
armchair

W: cm 70 - 27,6"  
D: cm 48 - 18,9"  
H: cm 105 - 41,3"  
HS: 54 - 21,3"  
HA: 62 - 24,4"  
MC: 0,58  
MARKS: 1  
KGS: 11



**Art.6014/A**  
poltrona  
armchair

W: cm 72 - 28,3"  
D: cm 55 - 21,7"  
H: cm 97 - 38,2"  
HS: 43 - 16,9"  
HA: 67,5 - 26,6"  
MC: 0,6  
MARKS: 1  
KGS: 16,5



**Art.6015/A**  
poltrona  
armchair

W: cm 55 - 21,7"  
D: cm 42 - 16,5"  
H: cm 89 - 35"  
HS: 41 - 16,1"  
MC: 0,35  
MARKS: 1  
KGS: 6,5



**Art.6015/L**  
divanetto  
loveseat

W: cm 117 - 46,1"  
D: cm 50 - 19,7"  
H: cm 88 - 34,6"  
HS: 42 - 16,5"  
MC: 1,05  
MARKS: 1  
KGS: 13



**Art.6016/A**  
poltrona  
armchair

W: cm 55 - 21,7"  
D: cm 42 - 16,5"  
H: cm 89 - 35"  
HS: 41 - 16,1"  
MC: 0,35  
MARKS: 1  
KGS: 6,5



**Art.6018/A**  
capotavola  
armchair

W: cm 62 - 24,4"  
D: cm 48 - 18,9"  
H: cm 97 - 38,2"  
HS: 49 - 19,3"  
HA: 70 - 27,6"  
MC: 0,6  
MARKS: 0,5  
KGS: 10



**Art.6018/B**  
sgabello  
bar stool

W: cm 45 - 17,7"  
D: cm 38 - 15"  
H: cm 121 - 47,6"  
HS: 82 - 32,3"  
MC: 0,3  
MARKS: 1  
KGS: 9,5



**Art.6018/S**  
sedia  
chair

W: cm 56 - 22"  
D: cm 46 - 18,1"  
H: cm 97 - 38,2"  
HS: 49 - 19,3"  
MC: 0,25  
MARKS: 1  
KGS: 9



**Art.6019/A**  
capotavola  
armchair

W: cm 58 - 22,8"  
D: cm 44 - 17,3"  
H: cm 98 - 38,6"  
HS: 50 - 19,7"  
HA: 72 - 28,3"  
MC: 0,6  
MARKS: 0,5  
KGS: 11,5



**Art.6019/B**  
sgabello  
bar stool

W: cm 45 - 17,7"  
D: cm 38 - 15"  
H: cm 121 - 47,6"  
HS: 82 - 32,3"  
MC: 0,3  
MARKS: 1  
KGS: 9,5



**Art.6019/S**  
sedia  
chair

W: cm 49 - 19,3"  
D: cm 40 - 15,7"  
H: cm 98 - 38,6"  
HS: 50 - 19,7"  
MC: 0,4  
MARKS: 0,5  
KGS: 9,5



**Art.6020/A**  
poltrona  
armchair

W: cm 61 - 24"  
D: cm 48 - 18,9"  
H: cm 100 - 39,4"  
HS: 50 - 19,7"  
HA: 68 - 26,8"  
MC: 0,5  
MARKS: 1  
KGS: 12



**Art.6020/S**  
sedia  
chair

W: cm 54 - 21,3"  
D: cm 45 - 17,7"  
H: cm 99 - 39"  
HS: 50 - 19,7"  
MC: 0,30  
MARKS: 0,5  
KGS: 10



**Art.6024/A**  
capotavola  
armchair

W: cm 73 - 28,7"  
D: cm 55 - 21,7"  
H: cm 86 - 33,9"  
HS: 41 - 16,1"  
HA: 58 - 22,8"  
MC: 0,6  
MARKS: 1  
KGS: 16



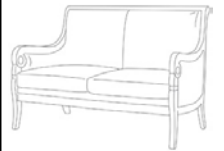
**Art.6025/A**  
poltrona  
armchair

W: cm 73 - 28,7"  
D: cm 66 - 26"  
H: cm 100 - 39,4"  
HS: 43 - 16,9"  
HA: 65 - 25,6"  
MC: 0,7  
MARKS: 1  
KGS: 15



**Art.6025/L**  
divano  
sofa

W: cm 145 - 57,1"  
D: cm 66 - 26"  
H: cm 100 - 39,4"  
HS: 43 - 16,9"  
HA: 65 - 25,6"  
MC: 1  
MARKS: 1  
KGS: 25



**Art.6026/A**  
poltrona  
armchair

W: cm 66 - 26"  
D: cm 47 - 18,5"  
H: cm 92 - 36,2"  
HS: 48 - 18,9"  
HA: 60 - 23,6"  
MC: 0,58  
MARKS: 1  
KGS: 15



**Art.6032/A**  
poltrona  
armchair

W: cm 56 - 22"  
D: cm 44 - 17,3"  
H: cm 90 - 35,4"  
HS: 52 - 20,5"  
HA: 65,5 - 25,8"  
MC: 0,5  
MARKS: 0,5  
KGS: 10



**Art.6034/A**  
poltrona  
armchair

W: cm 64 - 25,2"  
D: cm 52 - 20,5"  
H: cm 97 - 38,2"  
HS: 45 - 17,7"  
HA: 60 - 23,6"  
MC: 0,6  
MARKS: 1  
KGS: 15



**Art.6038/A**  
poltrona  
armchair

W: cm 75 - 29,5"  
D: cm 48 - 18,9"  
H: cm 115 - 45,3"  
HS: 41 - 16,1"  
HA: 63,5 - 25"  
MC: 0,58  
MARKS: 1  
KGS: 12



**Art.6043/B**  
sgabello  
bar stool

W: cm 44 - 17,3"  
D: cm 38 - 15"  
H: cm 123 - 48,4"  
HS: 81 - 31,9"  
MC: 0,3  
MARKS: 1  
KGS: 9,5



**Art.6045/A**  
poltrona  
armchair

W: cm 70 - 27,6"  
D: cm 52 - 20,5"  
H: cm 96 - 37,8"  
HS: 44 - 17,3"  
HA: 65 - 25,6"  
MC: 0,6  
MARKS: 1  
KGS: 12



**Art.8003/A**  
capotavola  
armchair

W: cm 54 - 21,3"  
D: cm 45 - 17,7"  
H: cm 93 - 36,6"  
HS: 50 - 19,7"  
HA: 68 - 26,8"  
MC: 0,42  
MARKS: 1  
KGS: 7



**Art.8003/B**  
sgabello  
bar stool

W: cm 47 - 18,5"  
D: cm 41,5 - 16,3"  
H: cm 113 - 44,5"  
HS: 83 - 32,7"  
MC: 0,30  
MARKS: 1  
KGS: 8



**Art.8003/S**  
sedia  
chair

W: cm 46 - 18,1"  
D: cm 42 - 16,5"  
H: cm 93 - 36,6"  
HS: 50 - 19,7"  
MC: 0,4  
MARKS: 0,5  
KGS: 7



**Art.8006/A**  
capotavola  
armchair

W: cm 56 - 22"  
D: cm 45 - 17,7"  
H: cm 95 - 37,4"  
HS: 50 - 19,7"  
HA: 68 - 26,8"  
MC: 0,6  
MARKS: 0,5  
KGS: 8



**Art.8006/S**  
capotavola  
armchair

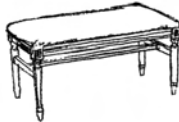
W: cm 46,5 - 18,3"  
D: cm 42 - 16,5"  
H: cm 95 - 37,4"  
HS: 50 - 19,7"  
MC: 0,4  
MARKS: 0,5  
KGS: 7



**Art.8010/A**  
capotavola  
armchair

W: cm 57 - 22,4"  
D: cm 42 - 16,5"  
H: cm 91 - 35,8"  
HS: 50 - 19,7"  
HA: 66 - 26"  
MC: 0,6  
MARKS: 0,5  
KGS: 8



**Art.8010/S**sedia  
chairW: cm 46 - 18,1"  
D: cm 42 - 16,5"  
H: cm 91 - 35,8"  
HS: 50 - 19,7"  
MC: 0,4  
MARKS: 0,5  
KGS: 7**Art.8012/A**capotavola  
armchairW: cm 56,5 - 22,2"  
D: cm 48 - 18,9"  
H: cm 93,5 - 36,8"  
HS: 50 - 19,7"  
HA: 68 - 26,8"  
MC: 0,6  
MARKS: 0,5  
KGS: 7**Art.8012/S**sedia  
chairW: cm 50 - 19,7"  
D: cm 48 - 18,9"  
H: cm 93,5 - 36,8"  
HS: 52 - 20,5"  
MC: 0,4  
MARKS: 0,5  
KGS: 6**Art.8016/L**panca  
benchW: cm 96 - 37,8"  
D: cm 33,5 - 13,2"  
H: cm 72,5 - 28,5"  
HS: 47 - 18,5"  
MC: 0,25  
MARKS: 1  
KGS: 7**Art.8017/A**capotavola  
armchairW: cm 65 - 25,6"  
D: cm 54 - 21,3"  
H: cm 100 - 39,4"  
HS: 52 - 20,5"  
HA: 70 - 27,6"  
MC: 0,5  
MARKS: 1  
KGS: 8**Art.8017/S**sedia  
chairW: cm 54 - 21,3"  
D: cm 50 - 19,7"  
H: cm 98 - 38,6"  
HS: 49 - 19,3"  
MC: 0,5  
MARKS: 1  
KGS: 7,5**Art.8018/A**capotavola  
armchairW: cm 65 - 25,6"  
D: cm 54 - 21,3"  
H: cm 102 - 40,2"  
HS: 52 - 20,5"  
HA: 70 - 27,6"  
MC: 0,5  
MARKS: 1  
KGS: 9**Art.8018/S**sedia  
chairW: cm 54 - 21,3"  
D: cm 50 - 19,7"  
H: cm 102 - 40,2"  
HS: 52 - 20,5"  
MC: 0,5  
MARKS: 1  
KGS: 8,5**Art.8021/A**capotavola  
armchairW: cm 58 - 22,8"  
D: cm 50 - 19,7"  
H: cm 93 - 36,6"  
HS: 52 - 20,5"  
HA: 69 - 27,2"  
MC: 0,6  
MARKS: 0,5  
KGS: 7**Art.8021/S**sedia  
chairW: cm 50 - 19,7"  
D: cm 49 - 19,3"  
H: cm 93 - 36,6"  
HS: 52 - 20,5"  
MC: 0,4  
MARKS: 0,5  
KGS: 6**Art.8023/A**capotavola  
armchairW: cm 57 - 22,4"  
D: cm 45 - 17,7"  
H: cm 97 - 38,2"  
HS: 52 - 20,5"  
HA: 69 - 27,2"  
MC: 0,6  
MARKS: 0,5  
KGS: 7**Art.8023/B**sgabello  
bar stoolW: cm 46 - 18,1"  
D: cm 45 - 17,7"  
H: cm 122 - 48"  
HS: 78 - 30,7"  
MC: 0,3  
MARKS: 1  
KGS: 6**Art.8023/L**panca  
benchW: cm 80 - 31,5"  
D: cm 40 - 15,7"  
H: cm 44 - 17,3"  
HS: 44 - 17,3"  
MC: 0,25  
MARKS: 1  
KGS: 7**Art.8023/S**sedia  
chairW: cm 50 - 19,7"  
D: cm 45 - 17,7"  
H: cm 97 - 38,2"  
HS: 52 - 20,5"  
MC: 0,4  
MARKS: 0,5  
KGS: 6**Art.8024/A**capotavola  
armchairW: cm 59 - 23,2"  
D: cm 48 - 18,9"  
H: cm 104 - 40,9"  
HS: 52 - 20,5"  
HA: 66,5 - 26,2"  
MC: 0,6  
MARKS: 0,5  
KGS: 8**Art.8024/B**sgabello  
bar stoolW: cm 47 - 18,5"  
D: cm 42 - 16,5"  
H: cm 101 - 39,8"  
HS: 65 - 25,6"  
MC: 0,25  
MARKS: 1  
KGS: 5,5**Art.8024/S**sedia  
chairW: cm 50 - 19,7"  
D: cm 47 - 18,5"  
H: cm 96 - 37,8"  
HS: 50 - 19,7"  
MC: 0,4  
MARKS: 0,5  
KGS: 8**Art.8028/A**capotavola  
armchairW: cm 59 - 23,2"  
D: cm 48 - 18,9"  
H: cm 104 - 40,9"  
HS: 52 - 20,5"  
HA: 66,5 - 26,2"  
MC: 0,6  
MARKS: 0,5  
KGS: 8



**Art.8028/B**  
sgabello  
bar stool

W: cm 47 - 18,5"  
D: cm 43 - 16,9"  
H: cm 126 - 49,6"  
HS: 84 - 33,1"  
MC: 0,3  
MARKS: 1  
KGS: 7



**Art.8028/S**  
sedia  
chair

W: cm 55 - 21,7"  
D: cm 48 - 18,9"  
H: cm 104 - 40,9"  
HS: 50 - 19,7"  
MC: 0,52  
MARKS: 0,5  
KGS: 7



**Art.8030/A**  
capotavola  
armchair

W: cm 57 - 22,4"  
D: cm 48 - 18,9"  
H: cm 96 - 37,8"  
HS: 50 - 19,7"  
HA: 66 - 26"  
MC: 0,6  
MARKS: 0,5  
KGS: 9



**Art.8030/B**  
sgabello  
bar stool

W: cm 47 - 18,5"  
D: cm 43,5 - 17,1"  
H: cm 126 - 49,6"  
HS: 84 - 33,1"  
MC: 0,3  
MARKS: 1  
KGS: 7



**Art.8030/S**  
sedia  
chair

W: cm 48 - 18,9"  
D: cm 43 - 16,9"  
H: cm 96 - 37,8"  
HS: 50 - 19,7"  
MC: 0,4  
MARKS: 0,5  
KGS: 8



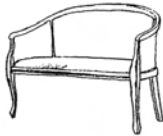
**Art.8032/A**  
poltrona  
armchair

W: cm 55,5 - 21,9"  
D: cm 44 - 17,3"  
H: cm 82 - 32,3"  
HS: 47 - 18,5"  
HA: 68 - 26,8"  
MC: 0,35  
MARKS: 1  
KGS: 7,5



**Art.8032/L**  
divanetto  
loveseat

W: cm 125 - 49,2"  
D: cm 44 - 17,3"  
H: cm 85 - 33,5"  
HS: 47 - 18,5"  
HA: 68 - 26,8"  
MC: 0,6  
MARKS: 1  
KGS: 12,5



**Art.8036/A**  
poltrona  
armchair

W: cm 55,5 - 21,9"  
D: cm 49 - 19,3"  
H: cm 82 - 32,3"  
HS: 47 - 18,5"  
HA: 68 - 26,8"  
MC: 0,35  
MARKS: 1  
KGS: 7



**Art.8039/A**  
poltrona  
armchair

W: cm 64,5 - 25,4"  
D: cm 46 - 18,1"  
H: cm 78,5 - 30,9"  
HS: 48 - 18,9"  
HA: 65 - 25,6"  
MC: 0,35  
MARKS: 1  
KGS: 8,5



**Art.8039/T**  
tavolino  
small table

W: cm 88,5 - 348,4"  
D: cm 55,5 - 218,5"  
H: cm 47 - 18,5"  
MC: 0,08  
MARKS: 2  
KGS: 20



**Art.8040/A**  
poltrona  
armchair

W: cm 64,5 - 25,4"  
D: cm 56 - 22"  
H: cm 92 - 36,2"  
HS: 48 - 18,9"  
HA: 60 - 23,6"  
MC: 0,54  
MARKS: 1  
KGS: 11



**Art.8041/O**  
pouf  
ottoman

W: cm 50 - 19,7"  
D: cm 36,5 - 14,4"  
H: cm 50 - 19,7"  
HS: 50 - 19,7"  
MC: 0,1  
MARKS: 1  
KGS: 4



**Art.8042/A**  
poltrona  
armchair

W: cm 65 - 25,6"  
D: cm 55 - 21,7"  
H: cm 91 - 35,8"  
HS: 44 - 17,3"  
HA: 66 - 26"  
MC: 0,54  
MARKS: 1  
KGS: 12



**Art.8042/L**  
divano  
sofa

W: cm 136 - 53,5"  
D: cm 59 - 23,2"  
H: cm 90 - 35,4"  
HS: 44 - 17,3"  
HA: 66 - 26"  
MC: 0,75  
MARKS: 1  
KGS: 25



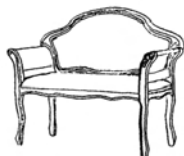
**Art.8042/O**  
pouff  
ottoman

W: cm 64 - 25,2"  
D: cm 42 - 16,5"  
H: cm 44 - 17,3"  
HS: 44 - 17,3"  
MC: 0,15  
MARKS: 1  
KGS: 5



**Art.8044/L**  
divanetto  
loveseat

W: cm 108 - 42,5"  
D: cm 40 - 15,7"  
H: cm 89,5 - 35,2"  
HS: 46 - 18,1"  
HA: 64 - 25,2"  
MC: 0,5  
MARKS: 1  
KGS: 13



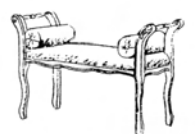
**Art.8045/L**  
divanetto  
loveseat

W: cm 87,5 - 34,4"  
D: cm 39 - 15,4"  
H: cm 87 - 34,3"  
HS: 43 - 16,9"  
HA: 63 - 24,8"  
MC: 0,4  
MARKS: 1  
KGS: 15



**Art.8046/L**  
divanetto  
loveseat

W: cm 99 - 39"  
D: cm 38,5 - 15,2"  
H: cm 64,5 - 25,4"  
HS: 45 - 17,7"  
MC: 0,40  
MARKS: 1  
KGS: 6,5



**Art.8065/S**sedia  
chair

W: cm 43 - 16,9"  
 D: cm 40 - 15,7"  
 H: cm 94 - 37"  
 HS: 49 - 19,3"  
 MC: 0,4  
 MARKS: 0,5  
 KGS: 6,5

**Art.8074/T**tavolo da gioco  
game table

W: cm 90 - 35,4"  
 D: cm 90 - 35,4"  
 H: cm 80 - 31,5"  
 MC: 0,2  
 MARKS: 2  
 KGS: 45

**Art.8081/O**pouf  
ottoman

W: cm 39 - 15,4"  
 D: cm 28 - 11"  
 H: cm 23 - 9,1"  
 HS: 23 - 9,1"  
 MC: 0,03  
 MARKS: 1  
 KGS: 2

**Art.8084/A**capotavola  
armchair

~~W: cm 53 - 22,4"~~  
 D: cm 49,5 - 19,5"  
 H: cm 105 - 41,3"  
 HS: 50 - 19,7"  
 HA: 69 - 27,2"  
 MC: 0,6  
 MARKS: 0,5  
 KGS: 9

**Art.8084/S**sedia  
chair

W: cm 51,5 - 20,3"  
 D: cm 48 - 18,9"  
 H: cm 105,5 - 41,5"  
 HS: 50 - 19,7"  
 MC: 0,5  
 MARKS: 0,5  
 KGS: 8

**Art.8086/T**tavolino rotondo  
round small table

H: cm 55 - 21,7"  
 MC: 0,1  
 MARKS: 1  
 KGS: 15

**Art.8087/A**capotavola  
armchair

W: cm 63 - 24,8"  
 D: cm 53 - 20,9"  
 H: cm 120 - 47,2"  
 HS: 53 - 20,9"  
 HA: 70 - 27,6"  
 MC: 0,6  
 MARKS: 0,5  
 KGS: 9,5

**Art.8087/S**sedia  
chair

W: cm 52 - 20,5"  
 D: cm 49 - 19,3"  
 H: cm 119 - 46,9"  
 HS: 52,5 - 20,7"  
 MC: 0,5  
 MARKS: 0,5  
 KGS: 8,5

**Art.8088/A**capotavola  
armchair

W: cm 56 - 22"  
 D: cm 46 - 18,1"  
 H: cm 93,5 - 36,8"  
 HS: 53 - 20,9"  
 HA: 68 - 26,8"  
 MC: 0,6  
 MARKS: 0,5  
 KGS: 8

**Art.8088/S**Sedia  
Chair

W: cm 47 - 18,5"  
 D: cm 43 - 16,9"  
 H: cm 93,5 - 36,8"  
 HS: 53 - 20,9"  
 MC: 0,4  
 MARKS: 0,5  
 KGS: 6,5

**Art.8089/A**poltrona girevole  
office swivel armchair

W: cm 62,5 - 24,6"  
 D: cm 54 - 21,3"  
 H: cm 119 - 46,9"  
 HA: 69 - 27,2"  
 MC: 0,55  
 MARKS: 1  
 KGS: 19

**Art.8110/A**capotavola  
armchair

W: cm 58 - 22,8"  
 D: cm 48 - 18,9"  
 H: cm 94 - 37"  
 HS: 51 - 20,1"  
 HA: 70 - 27,6"  
 MC: 0,6  
 MARKS: 0,5  
 KGS: 7

**Art.8110/S**sedia  
chair

W: cm 51 - 20,1"  
 D: cm 44 - 17,3"  
 H: cm 94 - 37"  
 HS: 51 - 20,1"  
 MC: 0,4  
 MARKS: 0,5  
 KGS: 5,5

**Art.8116/S**sedia  
chair

W: cm 49 - 19,3"  
 D: cm 43 - 16,9"  
 H: cm 95 - 37,4"  
 HS: 48 - 18,9"  
 MC: 0,4  
 MARKS: 0,5  
 KGS: 7

**Art.8117/T**tavolino ovale  
oval small table

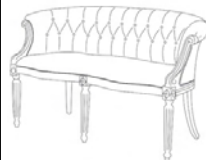
W: cm 118 - 46,5"  
 D: cm 56 - 22"  
 H: cm 46 - 18,1"  
 MC: 0,2  
 MARKS: 1  
 KGS: 25

**Art.8118/A**poltrona  
armchair

W: cm 62 - 24,4"  
 D: cm 55 - 21,7"  
 H: cm 78 - 30,7"  
 HS: 47 - 18,5"  
 HA: 76 - 29,9"  
 MC: 0,36  
 MARKS: 1  
 KGS: 10

**Art.8118/L**divano  
sofa

W: cm 120 - 47,2"  
 D: cm 57 - 22,4"  
 H: cm 78 - 30,7"  
 HS: 47 - 18,5"  
 HA: 76 - 29,9"  
 MC: 0,8  
 MARKS: 1  
 KGS: 20

**Art.8118/T**tavolino rotondo  
round small table

W: cm 60 - 23,6"  
 D: cm 60 - 23,6"  
 H: cm 56 - 22"  
 MC: 0,1  
 MARKS: 2  
 KGS: 15



**Art.8119/T**  
tavolino ovale  
oval small table

W: cm 115 - 45,3"  
D: cm 56 - 22"  
H: cm 47 - 18,5"  
MC: 0,2  
MARKS: 2  
KGS: 25



**Art.8121/A**  
capotavola  
armchair

W: cm 58 - 22,8"  
D: cm 48 - 18,9"  
H: cm 97 - 38,2"  
HS: 51 - 20,1"  
HA: 64,5 - 25,4"  
MC: 0,6  
MARKS: 0,5  
KGS: 7



**Art.8121/S**  
sedia  
chair

W: cm 50 - 19,7"  
D: cm 45 - 17,7"  
H: cm 97 - 38,2"  
HS: 51 - 20,1"  
MC: 0,3  
MARKS: 0,5  
KGS: 6



**Art.8124/S**  
sedia  
chair

W: cm 49,5 - 19,5"  
D: cm 41,5 - 16,3"  
H: cm 100,5 - 39,6"  
HS: 48 - 18,9"  
MC: 0,4  
MARKS: 0,5  
KGS: 7



**Art.8127/A**  
capotavola  
armchair

W: cm 62 - 24,4"  
D: cm 45,5 - 17,9"  
H: cm 93 - 36,6"  
HS: 47 - 18,5"  
HA: 63,5 - 25"  
MC: 0,6  
MARKS: 0,5  
KGS: 8



**Art.8127/S**  
sedia  
chair

W: cm 48 - 18,9"  
D: cm 45,5 - 17,9"  
H: cm 93 - 36,6"  
HS: 47 - 18,5"  
MC: 0,4  
MARKS: 0,5  
KGS: 7



**Art.8127/T**  
tavolo rettangolare  
rectangular table

W: cm 164 - 64,6"  
W(open): cm 264 - 103,9"  
D: cm 90 - 35,4"  
H: cm 77 - 30,3"  
MC: 0,34  
MARKS: 1  
KGS: 35



**Art.8127/T3**  
tavolino  
small table

W: cm 90 - 35,4"  
D: cm 90 - 35,4"  
H: cm 50 - 19,7"  
MC: 0,20  
MARKS: 1  
KGS: 21



**Art.8139/B**  
sgabello  
bar stool

W: cm 46 - 18,1"  
D: cm 46 - 18,1"  
H: cm 113 - 44,5"  
HS: 81 - 31,9"  
MC: 0,3  
MARKS: 1  
KGS: 8



**Art.8139/S**  
sedia  
chair

W: cm 46,5 - 18,3"  
D: cm 45 - 17,7"  
H: cm 91 - 35,8"  
HS: 50 - 19,7"  
MC: 0,4  
MARKS: 0,5  
KGS: 6,5



**Art.8140/B**  
sgabello bar  
bar stool

W: cm 46,5 - 18,3"  
D: cm 45 - 17,7"  
H: cm 113 - 44,5"  
HS: 81 - 31,9"  
MC: 0,3  
MARKS: 1  
KGS: 8



**Art.8140/S**  
sedia  
chair

W: cm 46,5 - 18,3"  
D: cm 45 - 17,7"  
H: cm 91 - 35,8"  
HS: 50 - 19,7"  
MC: 0,4  
MARKS: 0,5  
KGS: 6,5



**Art.8141/B**  
sgabello  
bar stool

W: cm 46,5 - 18,3"  
D: cm 45 - 17,7"  
H: cm 113 - 44,5"  
HS: 81 - 31,9"  
MC: 0,3  
MARKS: 1  
KGS: 8



**Art.8141/S**  
sedia  
chair

W: cm 46,5 - 18,3"  
D: cm 45 - 17,7"  
H: cm 91 - 35,8"  
HS: 50 - 19,7"  
MC: 0,4  
MARKS: 0,5  
KGS: 6,5



**Art.8179/A**  
poltrona  
armchair

W: cm 64 - 25,2"  
D: cm 54 - 21,3"  
H: cm 82 - 32,3"  
HS: 48 - 18,9"  
HA: 68 - 26,8"  
MC: 0,35  
MARKS: 1  
KGS: 11,5



**Art.8179/T**  
tavolino ovale  
oval small table

~~W: cm 115 - 45,3"~~  
D: cm 56 - 22"  
H: cm 46 - 18,1"  
MC: 0,3  
MARKS: 1  
KGS: 18



**Art.8179/TL**  
porta lampada  
lamp table

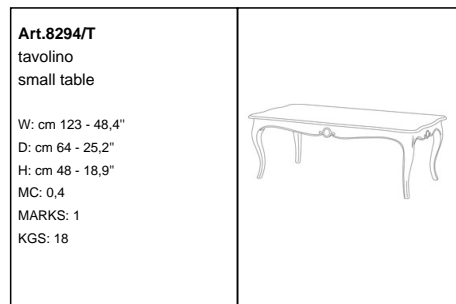
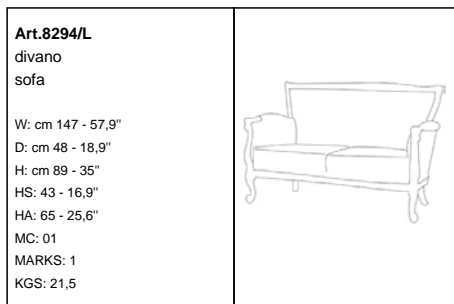
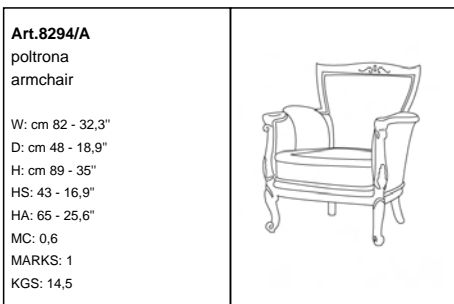
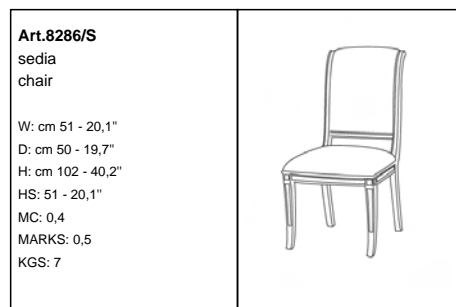
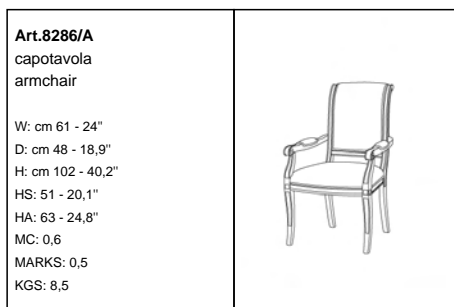
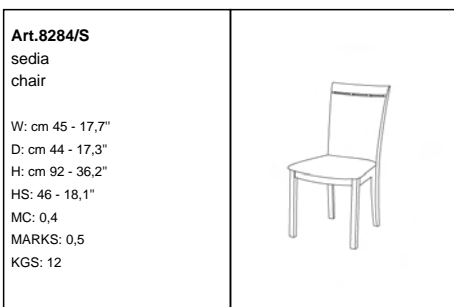
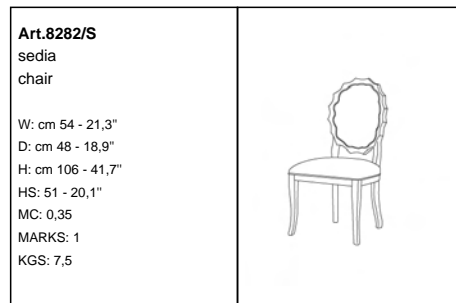
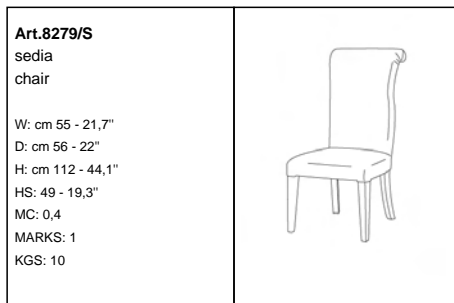
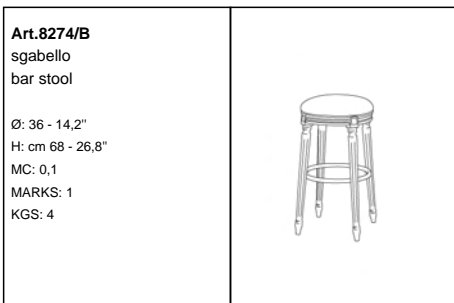
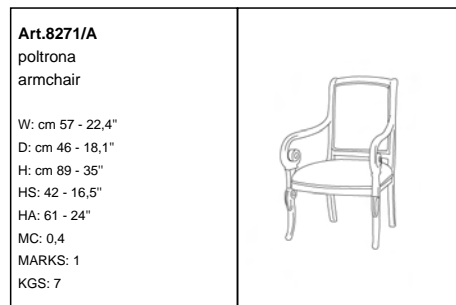
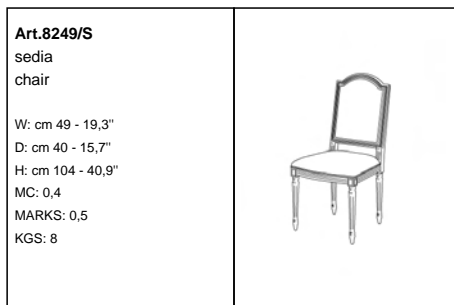
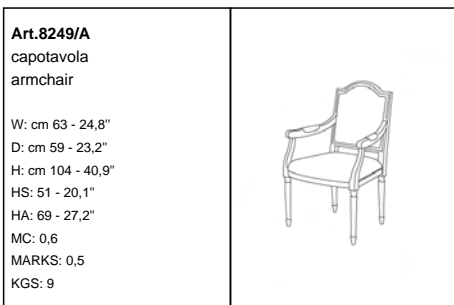
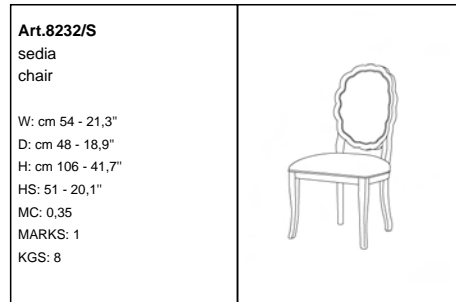
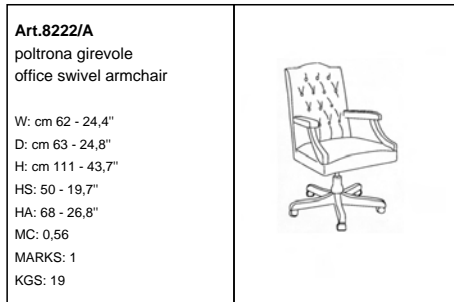
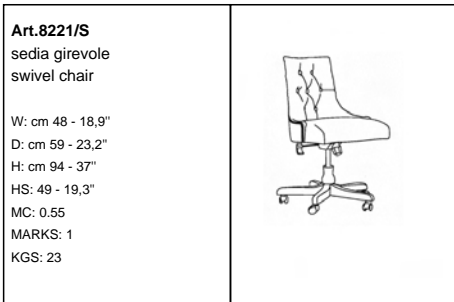
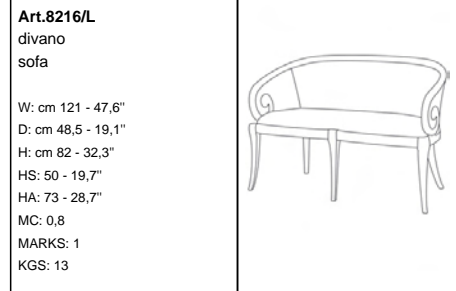
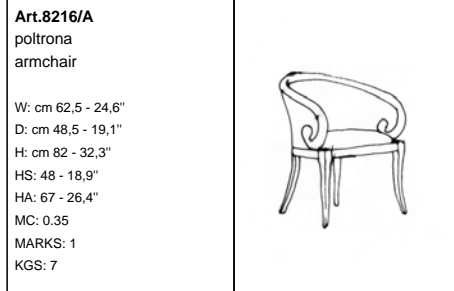
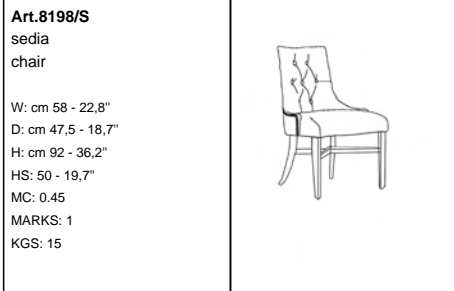
H: cm 55 - 21,7"  
MC: 0,22  
MARKS: 1  
KGS: 12



**Art.8187/S**  
sedia  
chair

W: cm 49 - 19,3"  
D: cm 53 - 20,9"  
H: cm 94,5 - 37,2"  
MC: 0,4  
MARKS: 1  
KGS: 9





**Art.8294/TL**  
porta lampada  
lamp table

W: cm 53 - 20,9"  
D: cm 53 - 20,9"  
H: cm 66 - 26"  
MC: 0,2  
MARKS: 1  
KGS: 14



**Art.8296/S**  
sedia  
chair

W: cm 46,5 - 18,3"  
D: cm 41,5 - 16,3"  
H: cm 94 - 37"  
HS: 50 - 19,7"  
MC: 0,4  
MARKS: 0,5  
KGS: 7



**Art.8297/A**  
poltrona  
armchair

W: cm 58 - 22,8"  
D: cm 63 - 24,8"  
H: cm 70,5 - 27,8"  
HS: 48,5 - 19,1"  
HA: 70,5 - 27,8"  
MC: 0,35  
MARKS: 1  
KGS: 11



**Art.8299/S**  
sedia  
chair

W: cm 45 - 17,7"  
D: cm 44 - 17,3"  
H: cm 85 - 33,5"  
HS: 46 - 18,1"  
MC: 0,4  
MARKS: 0,5  
KGS: 10



**Art.8300/S**  
sedia  
chair

W: cm 53,5 - 21,1"  
D: cm 46 - 18,1"  
H: cm 102 - 40,2"  
HS: 52 - 20,5"  
MC: 0,5  
MARKS: 0,5  
KGS: 7,5



**Art.8310/A**  
poltrona  
armchair

W: cm 74 - 29,1"  
D: cm 64 - 25,2"  
H: cm 94 - 37"  
HS: 46 - 18,1"  
HA: 65 - 25,6"  
MC: 0,7  
MARKS: 1  
KGS: 13



**Art.8311/A**  
poltrona  
armchair

W: cm 67 - 26,4"  
D: cm 63 - 24,8"  
H: cm 80 - 31,5"  
HS: 43 - 16,9"  
HA: 70 - 27,6"  
MC: 0,35  
MARKS: 1  
KGS: 13



**Art.8338/T**  
tavolo rettangolare  
rectangular table

W: cm 164 - 64,6"  
W(open): cm 264 - 103,9"  
D: cm 90 - 35,4"  
H: cm 77 - 30,3"  
MC: 0,34  
MARKS: 1  
KGS: 45



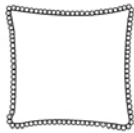
**Art.8359/S**  
sedia  
chair

W: cm 58 - 22,8"  
D: cm 47,5 - 18,7"  
H: cm 92 - 36,2"  
HS: 50 - 19,7"  
MC: 0,42  
MARKS: 0,5  
KGS: 10



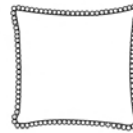
**Art.90CUS1**  
cuscino quadrato  
square cushion

W: cm 45 - 17,7"  
D: cm 45 - 17,7"  
MC: 0,05  
MARKS: 1  
KGS: 0,8



**Art.90CUS2**  
cuscino quadrato  
square cushion

W: cm 60 - 23,6"  
D: cm 60 - 23,6"  
MC: 0,1  
MARKS: 1  
KGS: 1,1



**Art.90CUS3**  
cuscino rettangolo  
rectangle cushion

W: cm 45 - 17,7"  
D: cm 22 - 8,7"  
MC: 0,05  
MARKS: 1  
KGS: 0,2



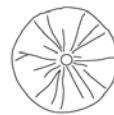
**Art.90CUS4**  
cuscino rettangolo  
rectangle cushion

~~W: cm 45 - 17,7"~~  
D: cm 30 - 11,8"  
MC: 0,05  
MARKS: 1  
KGS: 0,8



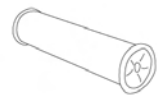
**Art.90CUS5**  
cuscino tondo  
round cushion

MC: 0,05  
MARKS: 1  
KGS: 0,8



**Art.90CUS6**  
rullo  
roll cushion

MC: 0,1  
MARKS: 1  
KGS: 0,6



**Art.10001**  
Credenzina  
Small buffet

W: cm 150 - 59,1"  
D: cm 48,5 - 19,1"  
H: cm 103 - 40,6"  
MC: 0.8  
MARKS: 2  
KGS: 53



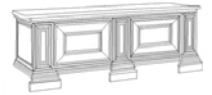
**Art.10002**  
Secrétaire  
Secrétaire

W: cm 83 - 32,7"  
D: cm 59 - 23,2"  
H: cm 111 - 43,7"  
MC: 0.6  
MARKS: 1  
KGS: 35



**Art.10003**  
Cassapanca  
Chest

W: cm 164,5 - 64,8"  
D: cm 55 - 21,7"  
H: cm 60 - 23,6"  
MC: 0.55  
MARKS: 1  
KGS: 70



**Art.10005**  
Fuciliera  
Rifle cabinet

W: cm 106 - 41,7"  
D: cm 48 - 18,9"  
H: cm 207 - 81,5"  
MC: 1.15  
MARKS: 1  
KGS: 55



**Art.10006**  
Specchiera  
Mirror

W: cm 100 - 39,4"  
D: cm 6 - 2,4"  
H: cm 162 - 63,8"  
MC: 0.1  
MARKS: 1  
KGS: 15



**Art.10007**  
Consolle  
Consolle

W: cm 118 - 46,5"  
D: cm 45,5 - 17,9"  
H: cm 82 - 32,3"  
MC: 0.5  
MARKS: 1  
KGS: 15



**Art.10008**  
Tavolo  
Table

W: cm 107 - 42,1"  
D: cm 87 - 34,3"  
H: cm 79 - 31,1"  
MC: 0.8  
MARKS: 1  
KGS: 27.5



**Art.10009**  
Comò  
Chest of drawers

W: cm 142 - 55,9"  
D: cm 63 - 24,8"  
H: cm 86,5 - 34,1"  
MC: 0.8  
MARKS: 1  
KGS: 61



**Art.10010**  
Bureau  
Bureau

W: cm 122 - 48"  
D: cm 58 - 22,8"  
H: cm 99 - 39"  
MC: 0.75  
MARKS: 1  
KGS: 86



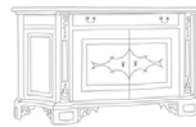
**Art.10011**  
Vetrinetta  
Curio cabinet

W: cm 61 - 24"  
D: cm 41 - 16,1"  
H: cm 184 - 72,4"  
MC: 0.5  
MARKS: 2  
KGS: 43



**Art.10018**  
Credenza  
Buffet

W: cm 200 - 78,7"  
D: cm 60 - 23,6"  
H: cm 102 - 40,2"  
MC: 1.25  
MARKS: 1  
KGS: 85



**Art.11001**  
Comò  
Chest of drawers

W: cm 152 - 59,8"  
D: cm 54 - 21,3"  
H: cm 101 - 39,8"  
MC: 0.85  
MARKS: 1  
KGS: 64.50



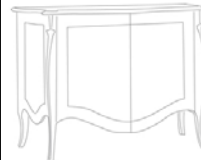
**Art.11002**  
Comò  
Chest of drawers

W: cm 152 - 59,8"  
D: cm 54 - 21,3"  
H: cm 101 - 39,8"  
MC: 0.85  
MARKS: 1  
KGS: 64.5



**Art.11003**  
Credenzina  
Small buffet

W: cm 136,5 - 53,7"  
D: cm 61 - 24"  
H: cm 100 - 39,4"  
MC: 0.85  
MARKS: 1  
KGS: 47



**Art.11004**  
Specchiera  
Mirror

W: cm 111 - 43,7"  
D: cm 7 - 2,8"  
H: cm 165 - 65"  
MC: 0.12  
MARKS: 1  
KGS: 25



**Art.11010**  
Comò  
Chest of drawers

W: cm 138 - 54,3"  
D: cm 60 - 23,6"  
H: cm 98 - 38,6"  
MC: 0.85  
MARKS: 1  
KGS: 87



**Art.11051**  
Tavolino  
Small Table

W: cm 90 - 35,4"  
D: cm 90 - 35,4"  
H: cm 48 - 18,9"  
MC: 0.55  
MARKS: 1  
KGS: 22



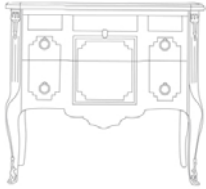
**Art.11052**  
Sedia  
Chair

W: cm 55 - 21,7"  
D: cm 52 - 20,5"  
H: cm 96 - 37,8"  
HS: 52 - 20,5"  
MC: 0.4  
MARKS: 1  
KGS: 8



**Art.11068**  
Comoncino  
Small commode

W: cm 90 - 35,4"  
D: cm 43 - 16,9"  
H: cm 82 - 32,3"  
MC: 0,5  
MARKS: 2  
KGS: 65



**Art.11085**  
Tavolino  
Small table

W: cm 110 - 43,3"  
D: cm 60 - 23,6"  
H: cm 48 - 18,9"  
MC: 0,5  
MARKS: 1  
KGS: 25



**Art.11086**  
Comò  
Chest of drawers

W: cm 134 - 52,8"  
D: cm 53 - 20,9"  
H: cm 81 - 31,9"  
MC: 1  
MARKS: 2  
KGS: 124



**Art.11088**  
Secrétaire  
Secrétaire

W: cm 112 - 44,1"  
D: cm 66 - 26"  
H: cm 115 - 45,3"  
MC: 1  
MARKS: 1  
KGS: 76



**Art.11108**  
Tavolo  
Table

W: cm 122 - 48"  
W(open): cm 205 - 80,7"  
D: cm 122 - 48"  
D(open): cm 148 - 58,3"  
H: cm 78 - 30,7"  
MC: 1,55  
MARKS: 2  
KGS: 70



**Art.11118**  
Coiffeuse  
Coiffeuse

W: cm 88 - 34,6"  
D: cm 42 - 16,5"  
H: cm 72 - 28,3"  
MC: 0,45  
MARKS: 1  
KGS: 28



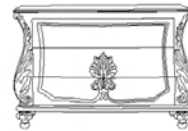
**Art.11122**  
Coiffeuse  
Coiffeuse

W: cm 83 - 32,7"  
D: cm 53 - 20,9"  
H: cm 79 - 31,1"  
MC: 0,5  
MARKS: 1  
KGS: 45



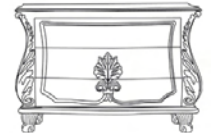
**Art.11125**  
Comò  
Chest of drawers

W: cm 125 - 49,2"  
D: cm 50 - 19,7"  
H: cm 85 - 33,5"  
MC: 0,53  
MARKS: 1  
KGS: 80



**Art.11126**  
Comò  
Chest of drawers

W: cm 125 - 49,2"  
D: cm 50 - 19,7"  
H: cm 85 - 33,5"  
MC: 0,53  
MARKS: 1  
KGS: 80



**Art.11155**  
Comò  
Chest of drawers

W: cm 132 - 52"  
D: cm 65 - 25,6"  
H: cm 92 - 36,2"  
MC: 1  
MARKS: 2  
KGS: 149



**Art.11161**  
Vetrina  
Cabinet

W: cm 70 - 27,6"  
D: cm 40 - 15,7"  
H: cm 170 - 66,9"  
MC: 0,5  
MARKS: 2  
KGS: 50



**Art.11179**  
Scrivania  
Writing-desk

W: cm 200 - 78,7"  
D: cm 100 - 39,4"  
H: cm 80 - 31,5"  
MC: 1,6  
MARKS: 1  
KGS: 106



**Art.11245**  
Credenzina  
Small buffet

W: cm 102 - 40,2"  
D: cm 45 - 17,7"  
H: cm 92 - 36,2"  
MC: 0,6  
MARKS: 2  
KGS: 63



**Art.11256**  
Settimanale  
Chest of drawers

W: cm 72 - 28,3"  
D: cm 38 - 15"  
H: cm 130 - 51,2"  
MC: 0,7  
MARKS: 2  
KGS: 60



**Art.11287**  
Comò  
Chest of drawers

W: cm 160 - 63"  
D: cm 60 - 23,6"  
H: cm 90 - 35,4"  
MC: 0,9  
MARKS: 2  
KGS: 212



**Art.11333**  
Porta lampada  
Lamp table

W: cm 60 - 23,6"  
D: cm 60 - 23,6"  
H: cm 72 - 28,3"  
MC: 0,3  
MARKS: 1  
KGS: 14



**Art.11372**  
Comò  
Chest of drawers

W: cm 135 - 53,1"  
D: cm 52 - 20,5"  
H: cm 92 - 36,2"  
MC: 0,65  
MARKS: 1  
KGS: 70




**Art.11375**  
Credenzina  
Small buffet

W: cm 138 - 54,3"  
D: cm 57 - 22,4"  
H: cm 90 - 35,4"  
MC: 0,7  
MARKS: 1  
KGS: 46



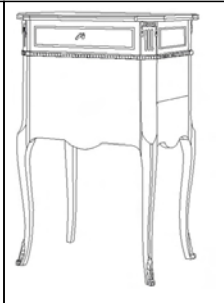
**Art.11376**  
Credenzina  
Small buffet

W: cm 138 - 54,3"  
D: cm 57 - 22,4"  
H: cm 90 - 35,4"  
MC: 0.7  
MARKS: 1  
KGS: 46




**Art.11413**  
Portagioie  
Jewel-case

W: cm 65 - 25,6"  
D: cm 50 - 19,7"  
H: cm 98 - 38,6"  
MC: 0.4  
MARKS: 1  
KGS: 30




**Art.12052**  
Consolle  
Consolle

W: cm 115 - 45,3"  
D: cm 55 - 21,7"  
H: cm 90 - 35,4"  
MC: 0.65  
MARKS: 1  
KGS: 65



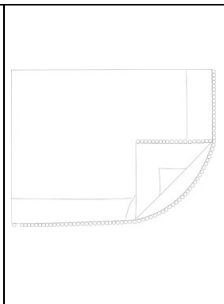
**Art.COL100**  
coordinato letto  
bed outfit

MC: 0,4  
MARKS: 1  
KGS: 12




**Art.COL101**  
copriletto  
bedspread

W: cm 265 - 104,3"  
D: cm 280 - 110,2"  
MC: 0,1  
MARKS: 1  
KGS: 4



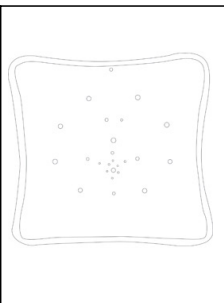
**Art.COL102**  
completo lenzuola matrimoniale  
double blanket set

W: cm 254 - 100"  
D: cm 282 - 111"  
MC: 0,05  
MARKS: 1  
KGS: 2,5



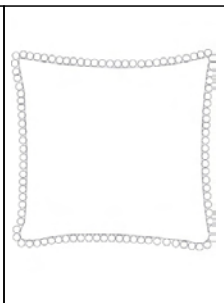
**Art.COL108**  
cuscino con Swarovski  
cushion with Swarovski

W: cm 30 - 11,8"  
D: cm 30 - 11,8"  
MC: 0,05  
MARKS: 1  
KGS: 0,2



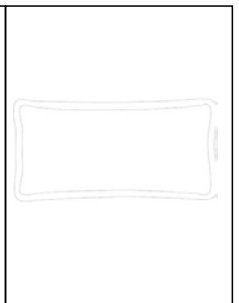
**Art.COL109**  
cuscino quadrato  
square cushion

W: cm 60 - 23,6"  
D: cm 60 - 23,6"  
MC: 0,1  
MARKS: 1  
KGS: 0,5



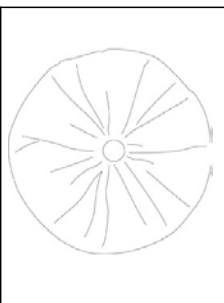
**Art.COL110**  
cuscino rettangolo  
rectangle cushion

W: cm 60 - 23,6"  
D: cm 30 - 11,8"  
MC: 0,05  
MARKS: 1  
KGS: 0,2



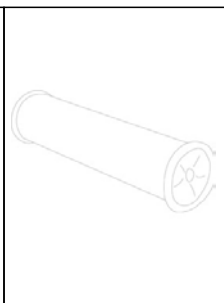
**Art.COL111**  
cuscino tondo  
round cushion

~~Ø: 45 - 17,7"~~  
MC: 0,05  
MARKS: 1  
KGS: 0,2



**Art.COL112**  
rullo  
roll cushion

W: cm 90 - 35,4"  
MC: 0,1  
MARKS: 1  
KGS: 0,5




**Art.COL200**  
coordinato letto  
bed outfit

MC: 0,4  
MARKS: 1  
KGS: 12



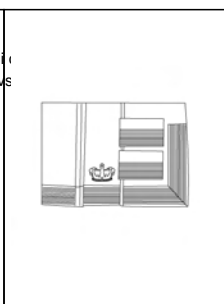
**Art.COL201**  
copriletto  
bedspread

W: cm 265 - 104,3"  
D: cm 280 - 110,2"  
MC: 0,1  
MARKS: 1  
KGS: 4



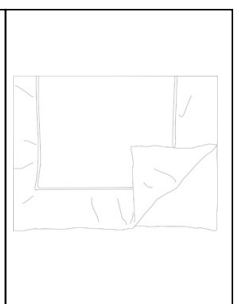
**Art.COL202**  
completo lenzuola matrimoniale  
double blanket set with Swarovski

W: cm 254 - 100"  
D: cm 282 - 111"  
MC: 0,05  
MARKS: 1  
KGS: 2,5



**Art.COL203**  
scaldapiedi  
warmers

W: cm 170 - 66,9"  
D: cm 90 - 35,4"  
MC: 0,05  
MARKS: 1  
KGS: 1



**Art.COL208**  
cuscino con Swarovski  
cushion with Swarovski

~~Ø: 45 - 17,7"~~  
D: cm 30 - 11,8"  
MC: 0,05  
MARKS: 1  
KGS: 0,2



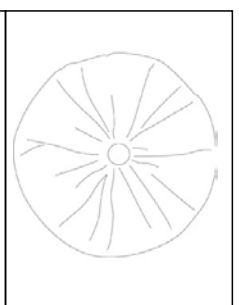
**Art.COL209**  
cuscino quadrato  
square cushion

W: cm 60 - 23,6"  
D: cm 60 - 23,6"  
MC: 0,1  
MARKS: 1  
KGS: 0,5



**Art.COL211**  
cuscino tondo  
round cushion


MC: 0,05  
MARKS: 1  
KGS: 0,2






**Art.COL/212**  
 rullo  
 roll cushion

Ø: 20 - 7,9"  
 W: cm 90 - 35,4"  
 MC: 0,1  
 MARKS: 1  
 KGS: 0,5




**Art.COL/300**  
 coordinato letto  
 bed outfit

MC: 0,4  
 MARKS: 1  
 KGS: 12



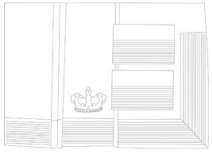
**Art.COL/301**  
 copriletto  
 bedspread

W: cm 260 - 102,4"  
 D: cm 260 - 102,4"  
 MC: 0,1  
 MARKS: 1  
 KGS: 3,5




**Art.COL/302**  
 completo lenzuola matrimoniali  
 double blanket set

W: cm 254 - 100"  
 D: cm 282 - 111"  
 MC: 0,05  
 MARKS: 1  
 KGS: 2,5




**Art.COL/304**  
 coperta  
 blanket

W: cm 220 - 86,6"  
 D: cm 133 - 52,4"  
 MC: 0,05  
 MARKS: 1  
 KGS: 1




**Art.COL/307**  
 cuscino con piume  
 cushion with feathers

W: cm 35 - 13,8"  
 D: cm 35 - 13,8"  
 MC: 0,05  
 MARKS: 1  
 KGS: 0,2




**Art.COL/309**  
 cuscino quadrato  
 square cushion

Ø: ~~20~~ 60,9" 23,6"  
 D: cm 60 - 23,6"  
 MC: 0,1  
 MARKS: 1  
 KGS: 0,5




**Art.COL/310**  
 cuscino rettangolo  
 rectangle cushion

W: cm 60 - 23,6"  
 D: cm 30 - 11,8"  
 MC: 0,05  
 MARKS: 1  
 KGS: 0,2




**Art.COL/312**  
 rullo  
 roll cushion

W: cm 90 - 35,4"  
 MC: 0,1  
 MARKS: 1  
 KGS: 0,5




**Art.COL/400**  
 coordinato letto  
 bed outfit

MC: 0,4  
 MARKS: 1  
 KGS: 12




**Art.COL/401**  
 copriletto  
 bedspread

W: cm 265 - 104,3"  
 D: cm 280 - 110,2"  
 MC: 0,1  
 MARKS: 1  
 KGS: 4




**Art.COL/402**  
 completo lenzuola matrimoniali  
 double blanket set

W: cm 254 - 100"  
 D: cm 282 - 111"  
 MC: 0,05  
 MARKS: 1  
 KGS: 2,5




**Art.COL/405**  
 tovaglia  
 tablecloth

Ø: 160 - 63"  
 MC: 0,05  
 MARKS: 1  
 KGS: 1



**Art.COL/406**  
 cuscino quadrato  
 square cushion

W: cm 35 - 13,8"  
 D: cm 35 - 13,8"  
 MC: 0,05  
 MARKS: 1  
 KGS: 0,2



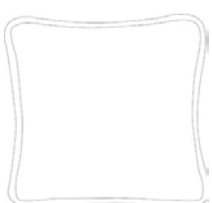
**Art.COL/408**  
 cuscino con Swarovski  
 cushion with Swarovski

W: cm 30 - 11,8"  
 D: cm 30 - 11,8"  
 MC: 0,05  
 MARKS: 1  
 KGS: 0,2




**Art.COL/409**  
 cuscino quadrato  
 square cushion

W: cm 60 - 23,6"  
 D: cm 60 - 23,6"  
 MC: 0,1  
 MARKS: 1  
 KGS: 0,5




**Art.COL/410**  
 cuscino rettangolo  
 rectangle cushion

W: cm 60 - 23,6"  
 D: cm 30 - 11,8"  
 MC: 0,05  
 MARKS: 1  
 KGS: 0,2




**Art.COT/100**  
 coordinato tavolino  
 small table outfit

MC: 0,1  
 MARKS: 1  
 KGS: 2,5



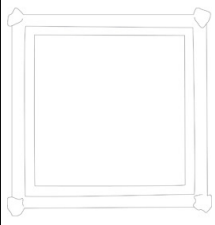
**Art.COT/101**  
tovaglia  
tablecloth

Ø: ~~80~~ ~~86~~ ~~93~~"  
MC: 0,05  
MARKS: 1  
KGS: 1




**Art.COT/102**  
coprimacchia  
cloth cover

W: cm 90 - 35,4"  
D: cm 90 - 35,4"  
MC: 0,05  
MARKS: 1  
KGS: 1




**Art.LM01**  
lampadario  
chandelier

H: cm 70 - 27,6"  
MC: 0,5  
MARKS: 1  
KGS: 21




**Art.LM01/3**  
applique  
applique

Ø: ~~30~~ ~~35~~ ~~41~~ 47,7"  
H: cm 35 - 13,8"  
MC: 0,1  
MARKS: 1  
KGS: 2,5




**Art.LM02**  
lampadario  
chandelier

H: cm 70 - 27,6"  
MC: 0,5  
MARKS: 1  
KGS: 22,2




**Art.LM02/1**  
piantana  
floor lamp

H: cm 175 - 68,9"  
MC: 0,45  
MARKS: 2  
KGS: 15




**Art.LM02/2**  
abat-jour  
abat-jour

Ø: ~~30~~ ~~35~~ ~~41~~ 47,7"  
H: cm 41 - 16,1"  
MC: 0,1  
MARKS: 1  
KGS: 1,5




**Art.LM03**  
lampadario  
chandelier

H: cm 70 - 27,6"  
MC: 0,75  
MARKS: 1  
KGS: 20




**Art.LM03/2**  
abat-jour  
abat-jour

H: cm 21 - 8,3"  
MC: 0,1  
MARKS: 1  
KGS: 2,8




**Art.LM04**  
lampadario  
chandelier

Ø: ~~60~~ ~~65~~ ~~70~~ 75,8"  
H: cm 68 - 26,8"  
MC: 0,35  
MARKS: 1  
KGS: 12,5




**Art.LM05**  
lampadario  
chandelier

H: cm 45 - 17,7"  
MC: 0,35  
MARKS: 1  
KGS: 12,5



**Art.LM06**  
lampadario  
chandelier

H: cm 70 - 27,6"  
MC: 0,35  
MARKS: 1  
KGS: 15,5



**Art.LM06/3**  
applique  
applique

W: cm 10 - 3,9"  
H: cm 30 - 11,8"  
MC: 0,1  
MARKS: 1  
KGS: 2

